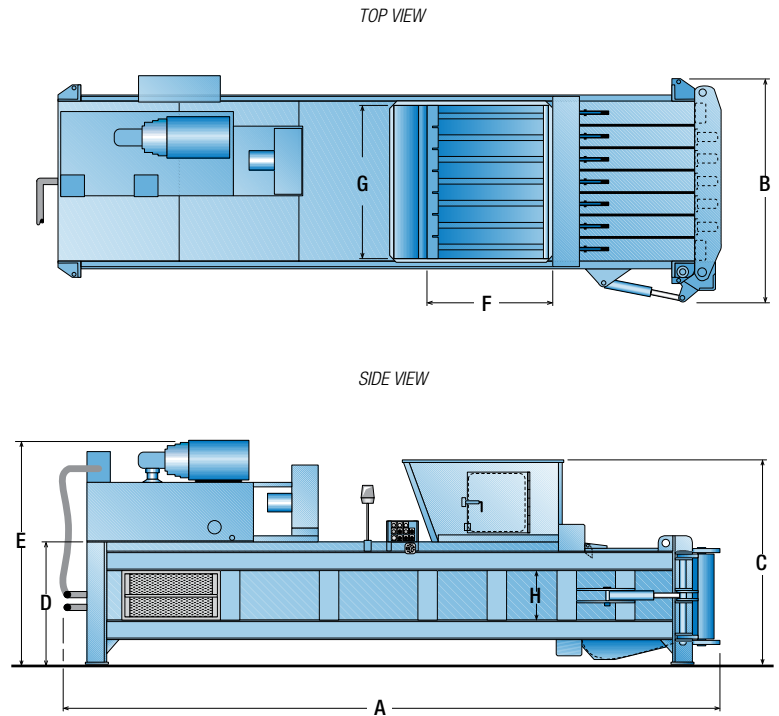


Atlas® and Atlas ET Non-Ferrous Horizontal Balers

Specifications	Atlas	Atlas ET
Nominal Bale Size	48" x 60" x 30" 1219mm x 1524mm x 762mm	
Performance		
Maximum System Pressure	3000 psi 207 bar	3000 psi 207 bar
Maximum Platen Force	190,900 lbs. 849 kN	235,600 lbs. 1048 kN
Maximum Platen Pressure	116 psi 800 kPa	139 psi 958 kPa
Cycle Time (partial penetration)	15 sec	22 sec
Weight (dry)	25,000 lbs. 11340 kg	29,000 lbs. 13154 kg
Electrical Equipment		
Electrical Motor 3/60-208/230/460	30 hp 22 kW	50 hp 37 kW
Electrical Control Voltage	120 VAC	120 VAC
UL® and CUL® listed		
Hydraulic Equipment		
Pump Type	Vane	Vane
Pump Capacity	75 gpm 341 lit/min	94 gpm 356 lit/min
Reservoir	150 gal. 567 lit.	200 gal. 757 lit.
Hydraulic Cylinder (Bore)	9" 229mm	10" 254mm
Hydraulic Cylinder (Rod)	6" 152mm	7" 178mm
Hydraulic Cylinder (Stroke)	96" 2438mm	96" 2438mm

Dimensions:



Dimensions	A	B	C	D	E	F	G	H	Clear Top Opening
	Overall Length	Overall Width	Overall Height	Body Height	Height with Power Unit	Charge Box Length	Charge Box Width	Charge Box Height	
Atlas	20'-9" (6325mm)	7'-8" (2337mm)	6'-8" (2032mm)	48 3/8" (1229mm)	93 3/4" (2381mm)	45" (1143mm)	60" (1524mm)	29" (737mm)	45"L x 56"W (1143mm x 1422mm)
Atlas ET	21'-9" (6629mm)	7'-8" (2337mm)	6'-8" (2032mm)	48 3/8" (1229mm)	93 3/4" (2381mm)	45" (1143mm)	60" (1524mm)	29" (737mm)	45"L x 56"W (1143mm x 1422mm)

Rental and Leasing Programs Available

For detailed specifications, recommendations, or free economic studies comparing various systems, contact Marathon Customer Care at **1-800-633-8974**.

Authorized Dealer:

Marathon Equipment Company
 P.O. Box 1798
 Vernon, AL 35592-1798
 800.633.8974
www.marathonequipment.com
 NJPA Contract #060612-ESG



Environmental Solutions Group
 A DOVER COMPANY
www.doveresg.com



Pictures in this literature are illustrative only. Specifications are subject to change without notice in order to accommodate improvements to the equipment. Complies with ANSI standard Z245.5 and applicable OSHA Regulations. Products must be used with safe practice and in accordance with said regulations and standards.



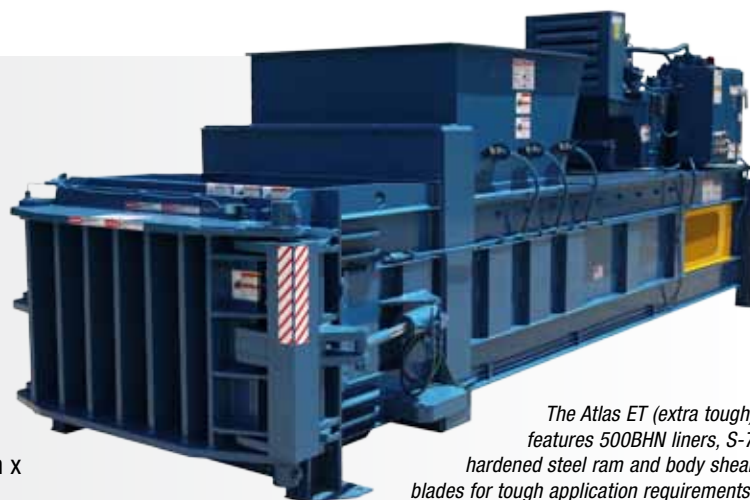
Atlas[®] and Atlas ET Non-Ferrous Horizontal Balers

Marathon's Atlas Series balers are the most affordable, highly efficient, mid-size balers for the non-ferrous scrap industry.

Atlas and Atlas ET Balers

Standard Features and Benefits

- Heavy construction – perfect for the scrap industry.
- The Atlas Series features stress-engineered construction for a superior size to weight ratio.
- Vertical tie-off – allows for baling without pre-processing – with 6 tie positions. Wire guides for quick and easy ties – tie through the bale chamber door.
- 3-sided feed hopper.
- Produces a 48-inch x 60-inch x 30-inch (1219mm x 1524mm x 762mm) size bale.
- The programmable UL and CUL Listed controller permits automatic or manual cycling.
- The full penetration ram provides maximum compaction and full ejection.
- Dual interlock on the bale chamber door.



The Atlas ET (extra tough) features 500BHN liners, S-7 hardened steel ram and body shear blades for tough application requirements.



Marathon's Atlas and Atlas ET Balers feature a hydraulic door latch.



The touchscreen allows full automatic and manual control with one touch. Screens may be customized, password protected, and are designed with alarm, diagnostic and help screens.



High-efficiency power unit and electrical disconnect.



**Environmental
Solutions Group**

A DOVER COMPANY