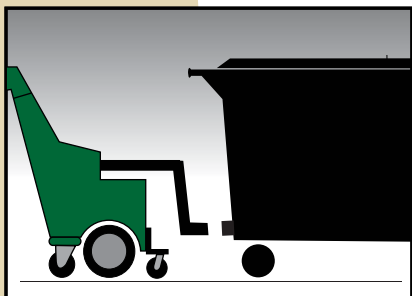


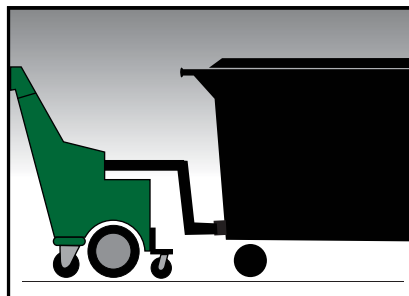
# **WasteCaddy**

## *Dumpster Movers*

Prevents the physical strain and pain associated with pushing or pulling heavy dumpsters and trash containers to curb side for pickup by waste haulers.



Insert tube on the front of the WasteCaddy attaches to the bottom of the dumpster.



Custom receivers provided for quick and easy connection to containers.



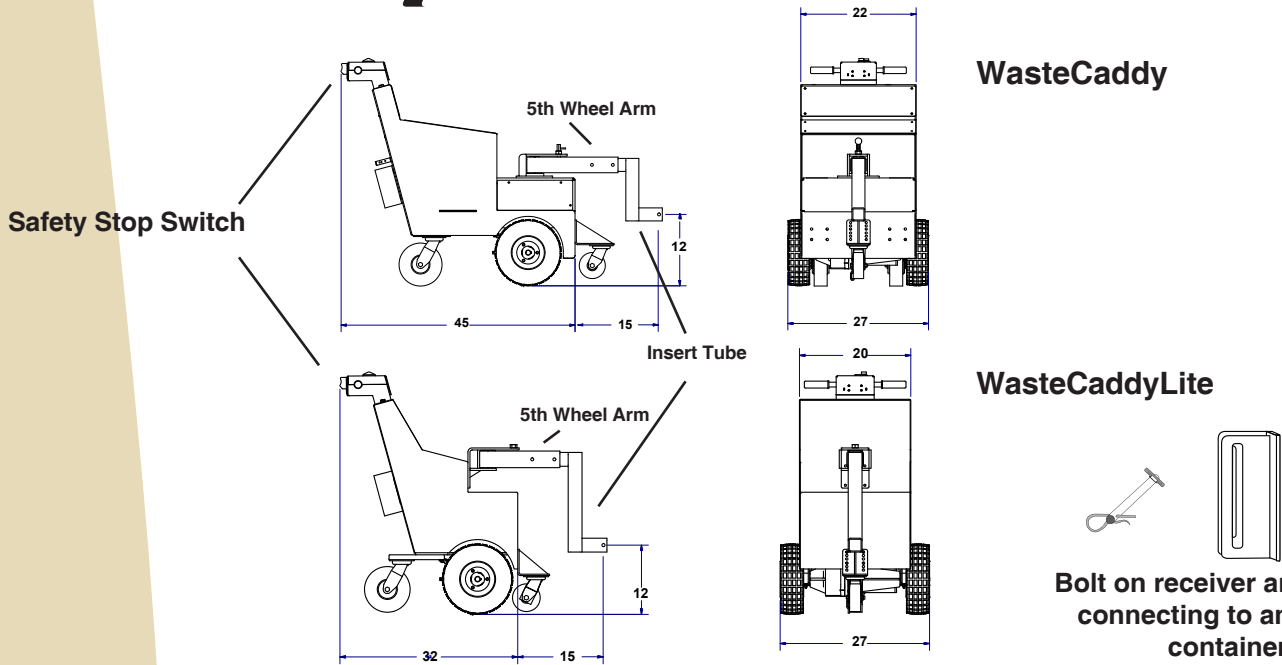
WasteCaddy Dumpster Mover can easily pull heavy trash containers up inclines through snow and ice.

**DJ PRODUCTS**, INC.

1009 4th St. NW, Little Falls, MN 56345 • PH: 800-686-2651 • FAX: 320-632-3553 • [www.djproducts.com](http://www.djproducts.com)

# WasteCaddy

## Dumpster Movers



### WasteCaddy Standard Features

- Welded Sheet Steel Frame
- 1500 lb. Differential/Transaxle
- High Tech Speed Controller
- Neutral Throttle Braking
- Adjustable Acceleration/Braking
- 36v(3) 85 Amp Batteries - Lite Unit
- 36v(3) 105 Amp Batteries - Std unit
- Variable Speed Twist Grip
- 0-3 mph Forward/Reverse
- Non-Marking Tires
- Battery Discharge Indicator
- 4.5 amp Automatic Charger

### WasteCaddy Pricing & Options

#### WasteCaddy / WasteCaddyLite Dumpster Mover Includes

High Output Motor and Controller Package

5th Wheel Arm

Powder Coated Steel Insert Tube

Safety Stop Switch and Guard Kit

Foam Filled Tires (Set)

WasteCaddyLite

WasteCaddy (extra 300 lbs)

#### Available Options

Safety Horn

Flashing Light and Pole

Maintenance-free Batteries (set of 3)

15 amp Weatherproof Charger

Dumpster Receiver (bolted or welded to dumpster)

Heavy Duty Package (includes larger motor/controller and an additional 300 lbs) - for larger inclines or heavy dumpsters

These options are only recommendations. Please consult a Sales Engineer at DJ Products, Inc. for your specific application. Other options are available.

**DJ PRODUCTS**, INC.

1009 4th St. NW, Little Falls, MN 56345 • PH: 800-686-2651 • FAX: 320-632-3553 • www.djproducts.com