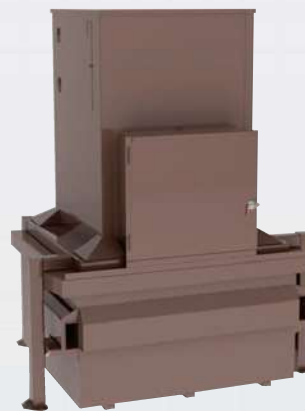


Specialty Compactors



CRAM-A-LOT®
J.V. Manufacturing, Inc. 
Solid Waste & Recycling Equipment



“Equipping The World For A Better Environment”

Features

Our Cram-A-Lot specialty compactors are designed specifically for facilities to save space where overall space utilization is critical.

THESE POWERFUL UNITS ARE IDEAL FOR:

- Facilities with limited floor space
- Warehouses
- High-Rise Apartments
- Hotels, Offices & Hospitals
- Or anywhere else trash space is very limited

SAFE
SIMPLE
AND
USER
FRIENDLY

DESIGNED FOR:

- Ease of Installation
- Ease of Operation
- Ease of Maintenance

X-PRESS PACK

Portable Liquid Tight Self-Contained Unit

Ease of usage makes it a perfect portable trash compactor ready to use and requires no additional sight prep such as concrete pad, anchors or channel guides.



VERTICAL COMPACTOR

Small Footprint, Frontload service

This compact liquid tight compactor/container is designed to eliminate the need for multiple front load containers. Loading capabilities from the ground, off a dock, or through the wall with optional chute fed systems available.



APARTMENT COMPACTOR

Extra Tight Space Problems

Designed to solve those extra tight space problems, the apartment compactor packs into a 2yd or 3yd front load or rear load container. These units can be equipped with high-rise chute hoppers, ground feed hoppers, and any other special installation solution requirement.



CS-01 & CS-02

Limited volume applications

For restrictive applications, we offer a 1 or 2 yard short version of our standard commercial compactor.



Installed Applications



CRAM-A-LOT®
J.V. Manufacturing, Inc. 
Solid Waste & Recycling Equipment

Vertical Compactor



X-Press Pack



CS-02



CS-01



Apartment Compactor



Apartment Compactor



Apartment Compactor

CA.5 1/2 Yard Space Saver Single Cylinder

CS.5 1/2 Yard Space Saver w/Twin Cylinders

FEATURES

- UL/CUL listed Control Panel
- Single side latching for easy and quick container removal
- ANSI Z245.21 Compliant
- Quiet Operating Vane Pump
- Key operated controls
- Can be equipped with high-rise chute hoppers, ground feed hoppers, and any other special installation solution requirement
- Space saver design
- Special modifications quoted upon request



CA.5

Cram-A-Lot Apartment Compactors are designed to pack into a 2yd or 3yd Front Load or Rear Load container where overall space utilization is critical

These powerful units are the perfect solution for high-rise apartments, hotels, hospitals, and office buildings, or anywhere space is very limited

DESIGN FEATURES

- Rugged Construction provides long life
- Compaction ratios average 4 to 1, depending on material
- Excellent Compaction of dry and/or wet material
- Ideal for apartment buildings, hotels, retail shops or anywhere space is limited

LOADING CAPABILITIES

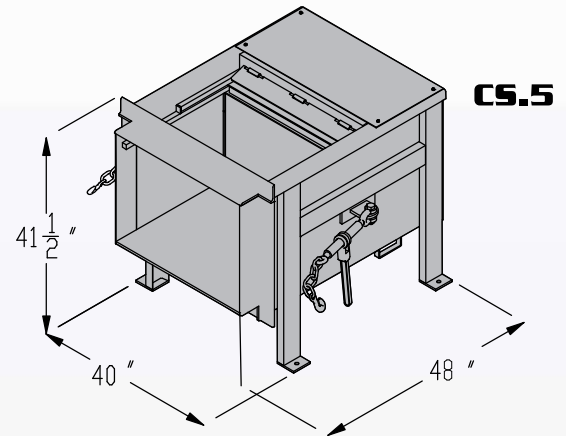
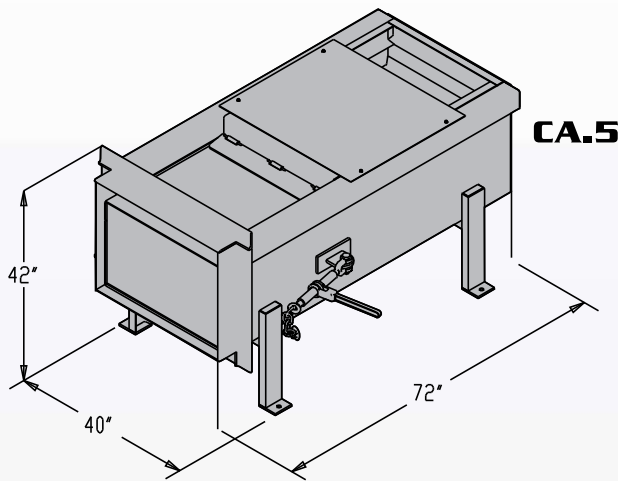
- Load from ground, off a dock, multi-story chute or through the wall



CS.5



CRAM-A-LOT®
J.V. Manufacturing, Inc.
Solid Waste & Recycling Equipment



Special modifications quoted upon request

Specifications

CA-5 Specifications

GENERAL:

Dimensions	Length	72"
	Width	40"
	Height	42"
Clear Top Opening		20" L x 27" W
Load Height	Min	37-1/2"
Cycle Time		38 seconds
Ram Force	Normal	13,800 lbs
	Maximum	17,500 lbs
Ram Penetration		5.5"
Ram Face Dimensions		29-3/4" W x 18" H
Weight		1,840 lbs with hopper
WASTEC Rated		.27 CU YDS

CONSTRUCTION:

Chassis	Floor	1/4" Steel Plate 3" C-Channel
	Sides	1/4" Steel Plate 4" x 4" x 3/16 Steel Tube 4" C-Channel
Presshead	Top	3/16" Steel Plate
	Sides	1/4" Steel Plate
	Face	3/8" Steel Plate
	Bottom	3/8" AR Steel Plate
	Guides	HMW Pads
Breaker Bar		5" x 3-1/2" x 3/8" Steel Angle

ELECTRICAL:

Optional Voltage	Motor	3 hp
	Voltage	208-230/460 VAC 60 Hz Three Phase
		230 VAC 60 Hz Single Phase

HYDRAULIC:

Hydraulic Cylinder	Pump Type	Vane
	Pump Capacity	4.5 gpm
	Tank Capacity	11 gal
	Bore	4"
	Stroke	28"
Operating Pressure	Rod	2"
	Normal	1,100 psi
	Maximum	1,400 psi

CS-5 Specifications

GENERAL:

Dimensions	Length	48"
	Width	40"
	Height	41-1/2"
Clear Top Opening		21" L x 28" W
Load Height	Min	39-3/4"
Cycle Time		14 seconds
Ram Force	Normal	14,300 lbs
	Maximum	16,400 lbs
Ram Penetration		5.5"
Ram Face Dimensions		29-3/4 W x 18-3/4 H
Weight		1,186 lbs
WASTEC Rated		.26 CU YDS

CONSTRUCTION:

Chassis	Floor	1/2" Steel Plate 3" C-Channel
	Sides	7 gage 4" C-Channel
Presshead	Top	7 gage
	Sides	1/4" Steel Plate
	Face	1/2" Steel Plate
	Bottom	1/2" AR Steel Plate
	Guides	UHMW Pads
Breaker Bar		5" x 3-1/2" x 3/8" Steel Angle

ELECTRICAL:

Optional Voltage	Motor	5 hp
	Voltage	208-230/460 VAC 60 Hz Three Phase
		230 VAC 60 Hz Single Phase

HYDRAULIC:

Hydraulic Cylinder (2)	Pump Type	Vane
	Pump Capacity	6 gpm
	Tank Capacity	11 gal
	Bore	2-1/2"
	Stroke	18"
Operating Pressure	Rod	1-1/4"
	Normal	1,750 psi
	Maximum	2,000 psi

All information is subject to engineering and/or other changes without notice.



CRAM-A-LOT®

J.V. Manufacturing, Inc.

Solid Waste & Recycling Equipment



Leasing and Rental Programs Available

**Compactor Units can be custom designed
and factory installed to suit your special applications**

Cram-A-Lot® 1-2-3 Warranty

J.V. Manufacturing will furnish without charge:

- 1) All parts and labor expenses through the first year of ownership to remedy any faults proven to be the result of defective materials or workmanship.
- 2) All parts through the second year of ownership to remedy any faults proven to be the result of defective materials or workmanship.
- 3) All labor expenses through the third year of ownership to remedy any structural faults proven to be the result of defective materials or workmanship.

This warranty does not apply to any damage caused by negligence, misuse, modifications, alterations, or accidents by purchaser or third parties.
Refer to operation manual for specific warranty coverage.

CORPORATE OFFICE

P.O. Box 229
701 Butterfield Coach Road
Springdale, AR 72765

1-800-678-7320
479-751-7320
479-751-7774 (fax)

DISTRIBUTED BY:-

www.cram-a-lot.com