



# CHARGER

**SERIES**

## Stationary Compactors



**"EQUIPPING THE WORLD FOR A BETTER ENVIRONMENT"™**



*The new Cram-A-Lot Charger Series represents the next step in the evolution of the stationary compactor*

### Standard Features Include

- Made in the USA
- Complete Machine UL Listed
- ANSI Z245.2 Compliant
- 24 Volt Operator Controls
- Side-Mounted Power Unit with Remote Control Pendant
- NEMA 4 Rated Controls with Key-Lockable Start Switch
- Key-Lockable Hauler Safety Switch
- TEFC (Totally Enclosed Fan-Cooled) Electric Motor
- JIC & O-ring Fittings throughout Hydraulic System
- Oil Sight Gauge
- Floor Riding Ram Design with UHMW Tail Guides
- Serviceable Ram Wiper
- Turnbuckles & Container Hooks

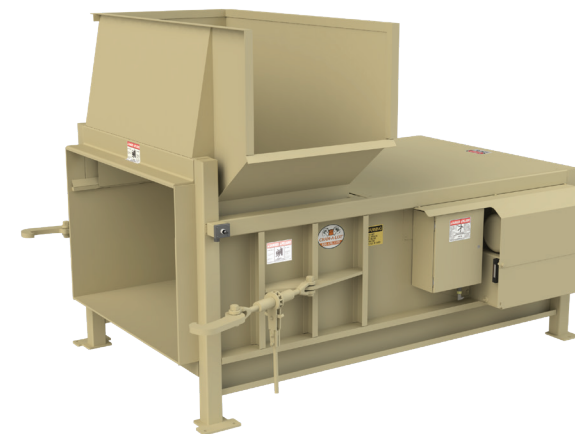
Our new Charger Series stationary compactors (2 to 4 cubic yard capacities) was designed for businesses that generate low to moderate volumes of waste and recyclables. These models were designed from the ground up to require minimal maintenance and repairs, limiting the disruption of downtime to your business operations.

In designing the Charger Series, our engineers utilized a “balanced design” approach, using computer aided stress analysis in conjunction with real-world destructive testing for design validation. This Cram-A-Lot dedication to robust design ensures that your compactor will be built to last, providing many years of service.

All Charger Series compactors feature a floor riding ram design, which minimizes the maintenance associated with guide shoe adjustment while minimizing material migration behind the ram. The new side-mounted power unit places key electrical and hydraulic components safely outside of the compactor chassis. Our power units are also designed and manufactured “in house” so we can maintain complete quality control of these critical systems.

### Charger Series compactors are perfect for applications such as

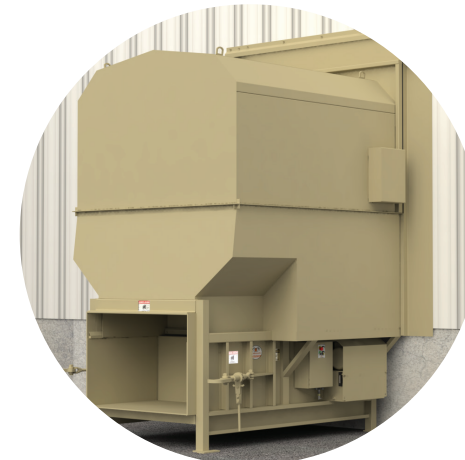
- Retail Stores
- Shopping Malls
- Apartment Complexes
- Warehouses
- Distribution Centers
- Manufacturers & Industrial Facilities
- Schools & Universities
- Hospitals & Healthcare Facilities



**Open Top Hoppers**  
for outdoor walk-up or drive-up applications



**Enclosed Hoppers**  
for outdoor walk-up applications



**Full Enclosures**  
for installation at dock doors. Available in walk-on or drive-on configuration



**Through the Wall**  
configuration can be fed from interior of the building via security door



**Dock Mount Hopper**  
with safety gate for installations at docks or dock doors. Available in walk-on or drive-on configurations

All Cram-A-Lot compactors conform to all current ANSI Z 245.2 safety standards. All information is subject to engineering and/or other changes without notice.

**Breaker Bar Teeth – (Optional)**

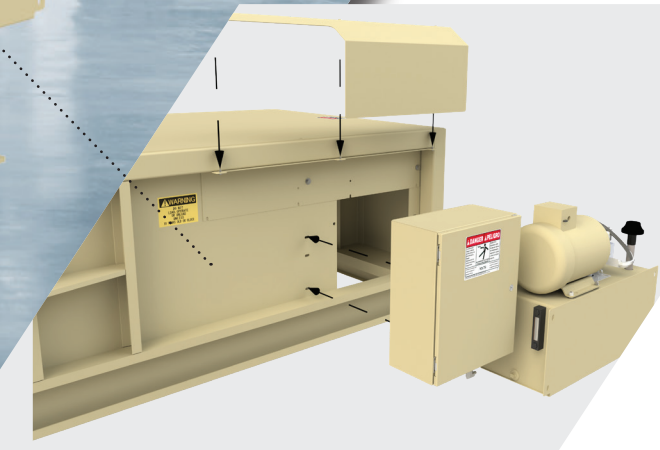
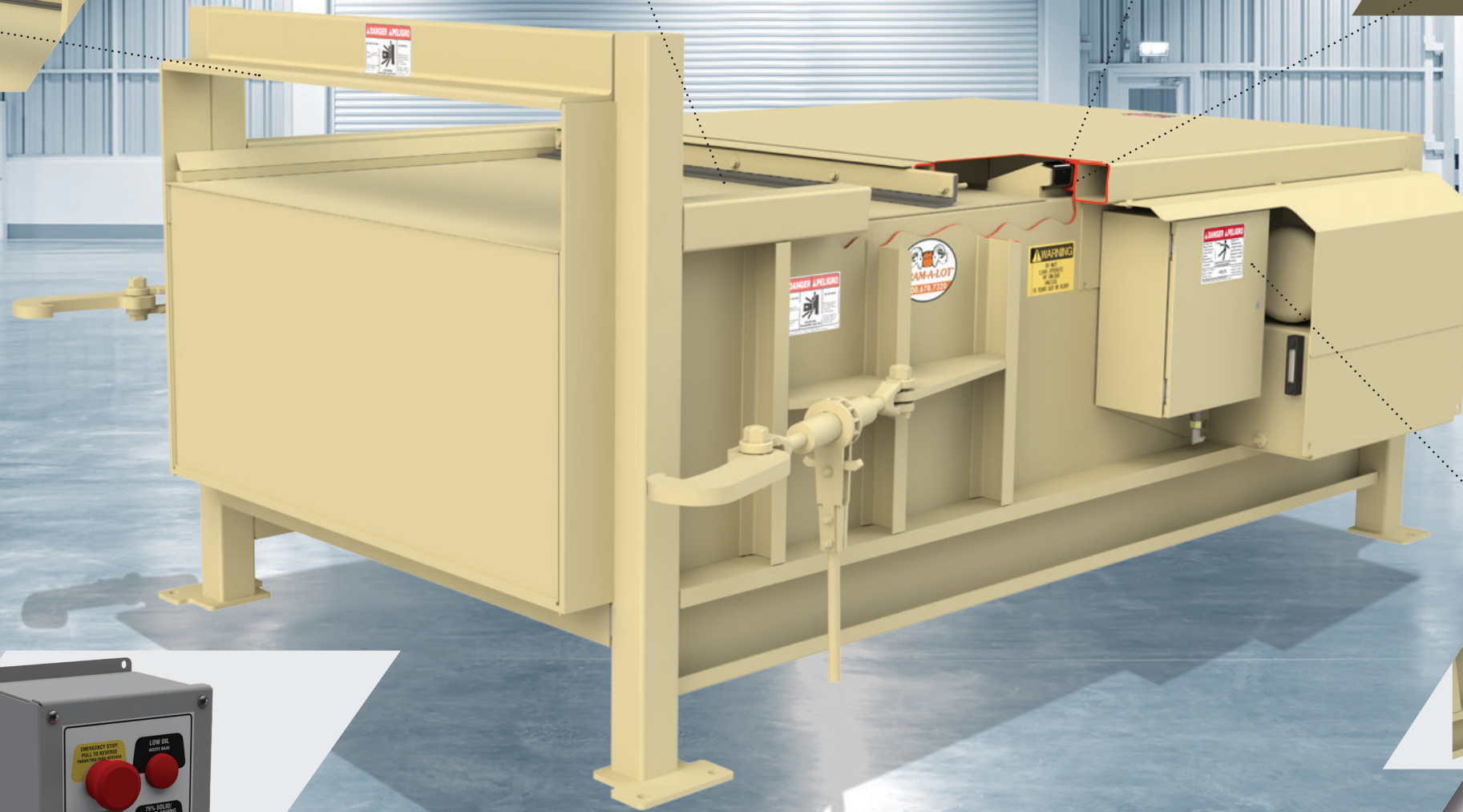
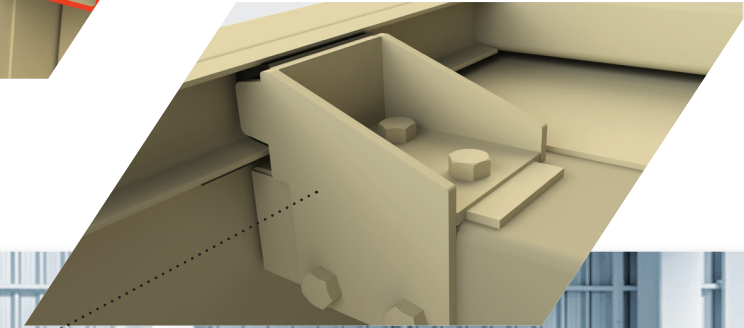
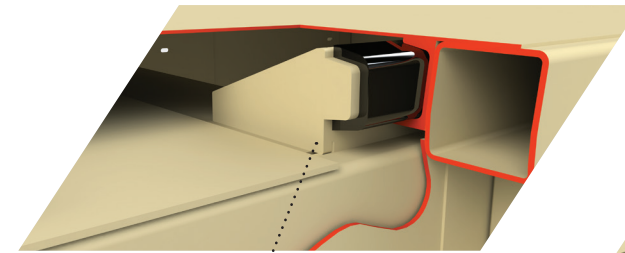
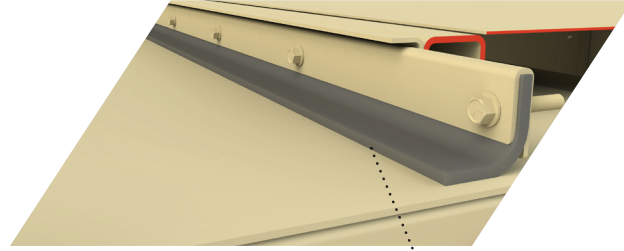
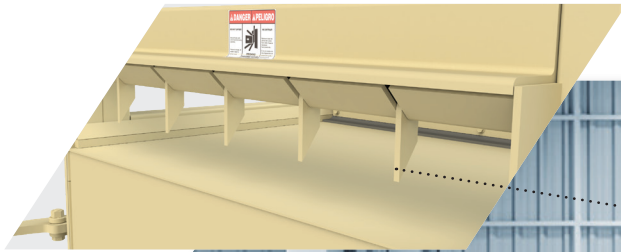
Fixed or Hinged breaker bar teeth can be specified to hold the material into the container, maintaining a clear compactor charge area.

**Serviceable Wiper Blade**

New flexible wiper design prevents material from migrating behind ram. Replaceable without welding.

**Adjustable Tail Guides**

UHMW guides assure straight tracking of ram and are adjustable for wear. Replaceable without welding.



**Remote Controls**

A 4 position, NEMA 3R remote control pendant is standard on all models. Includes 15' lead and 24 volt operators.

**Side Mounted Power Unit**

Side mounted power unit features full length weather cover, TEFC electric motor, vane-style hydraulic pump, and sight gauge for oil level & temperature. Can be specified right hand or left hand mount from factory.

**Charger Series Compactor Steel Options**

- Angle Guides
- Channel Guides
- Breaker Bar Teeth (Fixed or Hinged)
- Pin Off System with Jog Control

**Charger Series Electrical & Hydraulic Options**

- 75% & 100% Full Lights Combined
- Color Coded Pressure Gauge (Factory Mounted or Field Mounted)
- Remote Power Unit
- Full Remote Controls, 15' Lead (Four or Six operators)
- Multi-Cycle Operation, 3 Cycles (with or without selector switch)
- Auto-Cycle Operation w/ Photocell
- Conveyor Feed with Upper Photocell
- Hold To Run
- Oil Heater
- Oil Level Shutdown
- Oil Temperature Shutdown
- Biodegradable Oil
- Hydraulic Oil & ATF Blend – 50%
- Sonozaire Odor Neutralizer
- Single Phase Voltage Options (5hp, 230V, w/ 2 Stage Pump)
- Three Phase Voltage Options (208V, 230V, 460V, 575V)

**Available Paint Options**

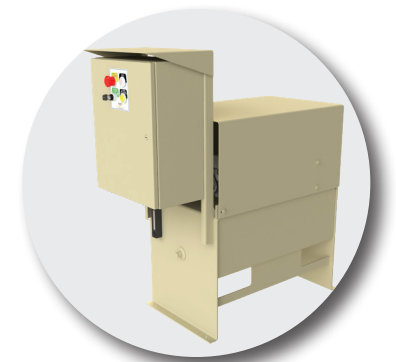
- 14 standard color options to choose from in high gloss industrial enamel
- Paint-to-Sample – we can color match to your custom paint sample
- Two-tone paint schemes possible including safety yellow handrails and safety gates, and white inside full enclosures
- Additional primer coat and/or top coat for salt air environments

*Our Engineers can custom design your equipment to meet your unique needs.*



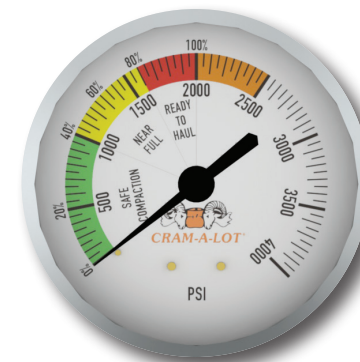
**Ozone Odor Neutralizer**

Our odor neutralizer systems provide effective odor control and air purification by producing ozone from atmospheric oxygen. Ozone eliminates odors without the use of deodorants or chemicals.



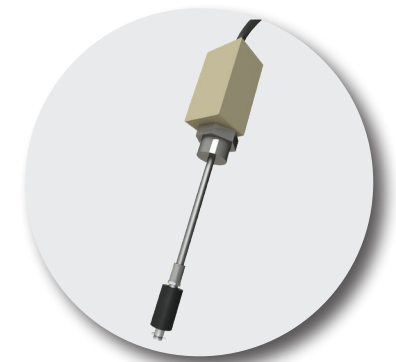
**Remote Power Unit**

Our remote power unit option can be specified where the application calls for the power unit to be mounted inside the building, or where remote mounting facilitates better accessibility for repair and maintenance.



**Color Coded Pressure Gauge**

User friendly pressure gauge indicates the fullness level with green, yellow, red, and orange zones which allow the operator to quickly identify container fullness.



**Oil Level Shutdown**

The oil level shutdown option uses a reservoir mounted float and indicator light to notify the machine operator of a potential oil leak or hydraulic system failure. This option helps reduce oil spillage and saves hydraulic system components that can be damaged by continued use during low oil levels.

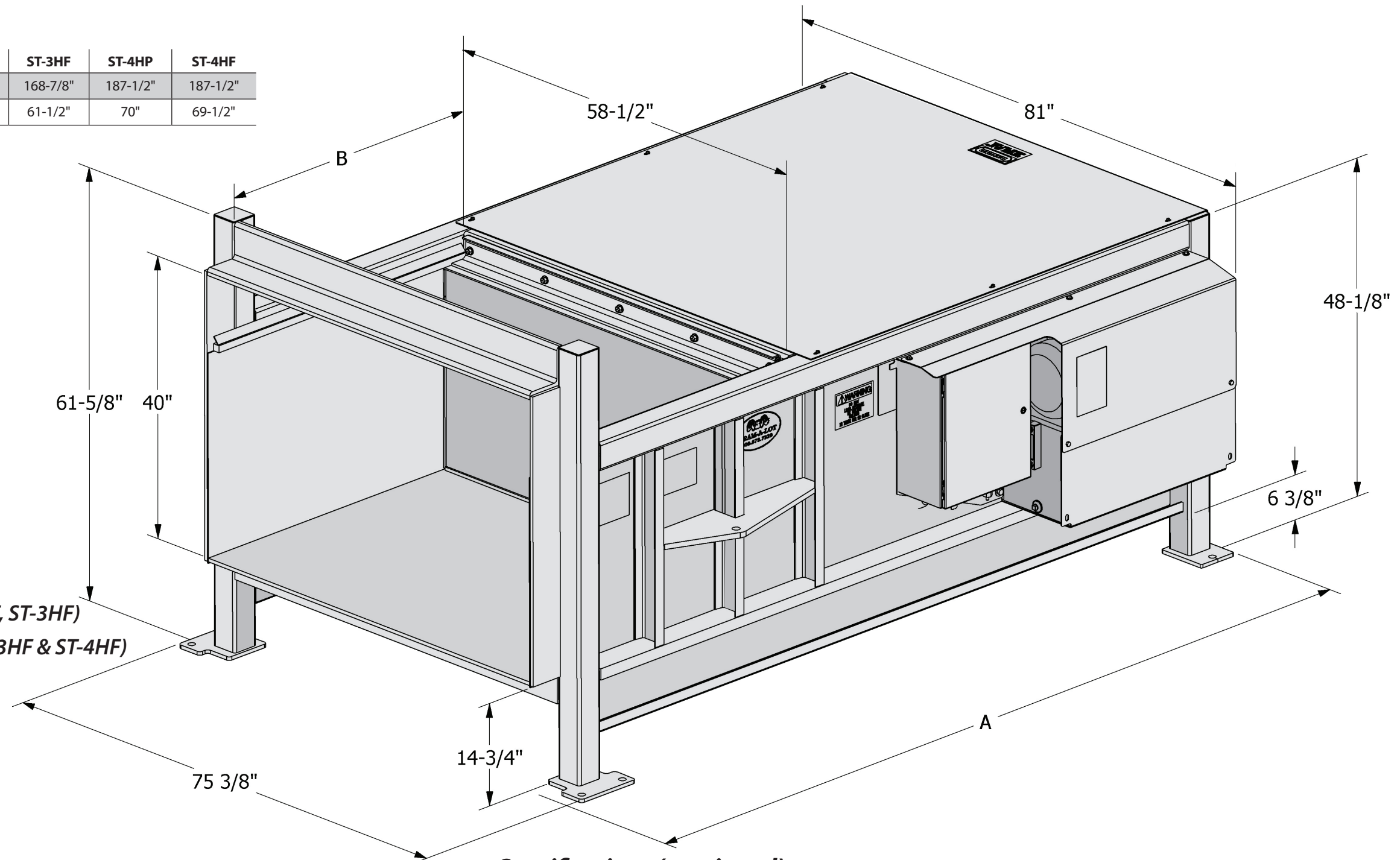


**Oil Heater**

For use in cold climate areas, our oil heater is thermostatically controlled to maintain the oil reservoir above 70° F.

Dimensions

	ST-2S	ST-2HP	ST-2HF	ST-3S	ST-3HF	ST-4HP	ST-4HF
Overall Length (A)	122-1/8"	122-1/8"	122-1/8"	168-7/8"	168-7/8"	187-1/2"	187-1/2"
Clear Top Length (B)	40"	40"	39-1/2"	62"	61-1/2"	70"	69-1/2"



- Fastest Cycle Time in Class\* (Models ST-2HP, ST-2HF, ST-3HF)
- Highest Normal Force in Class\* (Models ST-2HF, ST-3HF & ST-4HF)
- 48 1/8" Deck height on all models
- All cylinders made in USA

Specifications

		ST-2S	ST-2HP	ST-2HF	ST-3S	ST-3HF	ST-4HP	ST-4HF
Charge Capacity		2 cu yd	2 cu yd	2 cu yd	3 cu yd	3 cu yd	4 cu yd	4 cu yd
NWRA Rated Size		1.53 cu yd	1.53 cu yd	1.53 cu yd	2.35 cu yd	2.35 cu yd	2.65 cu yd	2.65 cu yd
Normal Cycle Time	Standard	63 sec	33 sec	33 sec	53 sec	46 sec	39.sec	52 sec
Total Force	Normal	59,400 lb	59,400 lb	77,000 lb	59,400 lb	77,000 lb	56,500 lb	77,000 lb
	Maximum	67,900 lb	67,900 lb	92,400 lb	67,900 lb	92,400 lb	67,500 lb	92,400 lb
Ram Face Pressure	Normal	34.1 psi	34.1 psi	44.3 psi	34.1 psi	44.3 psi	32.5 psi	44.3 psi
	Maximum	39 psi	39 psi	53.1 psi	39 psi	53.1 psi	39.0 psi	53.1 psi
Ram Face Dimensions	(W x H)	60" x 29"	60" x 29"	60" x 29"	60" x 29"	60" x 29"	60" x 29"	60" x 29"
Ram Penetration		13"	13"	13"	13"	13"	15"	15"

Specifications (continued)

		ST-2S	ST-2HP	ST-2HF	ST-3S	ST-3HF	ST-4HP	ST-4HF
Motor - 3 Phase	208/230/460 VAC	10 hp	15 hp	15 hp	10 hp	15 hp	15 hp	15 hp
Pump Capacity	Standard	10.5 gpm	12 gpm w/regen	16.5 gpm w/regen	10.5 gpm w/regen	16.5 gpm w/regen	16.5 gpm w/regen	16.5 gpm w/regen
Hydraulic Reservoir	Capacity	20 gal	30 gal	30 gal	30 gal	30 gal	30 gal	30 gal
Hydraulic Cylinder	Bore Diameter	6"	6"	7"	6"	7"	6"	7"
	Stroke	54"	54"	54"	76"	76"	86"	86"
	Rod Diameter	3.5"	3.5"	4"	3.5"	4"	4"	4"
Operation Pressure	Normal	2100 psi	2100 psi	2000 psi	2100 psi	2000 psi	2000 psi	2000 psi
	Maximum	2400 psi	2400 psi	2400 psi	2400 psi	2400 psi	2400 psi	2400 psi
Complete Unit UL Listed		yes	yes	yes	yes	yes	yes	yes

## Quality & Reliability

When you purchase Cram-A-Lot you receive much more for your investment than quality equipment, you get the Cram-A-Lot team.

And because of the confidence we have in our team to design and build quality equipment, we were the first in the industry to offer a 1-2-3 warranty.

### The **CRAM-A-LOT**® 1-2-3 Warranty is simple...

**1.** All parts and labor expenses through the first year to remedy defective materials or workmanship.



**2.** All parts through the second year to remedy defective materials or workmanship.



**3.** All labor expenses through the third year to remedy any structural faults that result from defective materials or workmanship.





**CRAM-A-LOT®**



## Corporate Office

701 Butterfield Coach Rd. - P.O. Box 229 - Springdale, AR 72765-0229  
1-800-678-7320 - 479-751-7320 - Fax: 479-872-0037

[www.cram-a-lot.com](http://www.cram-a-lot.com)