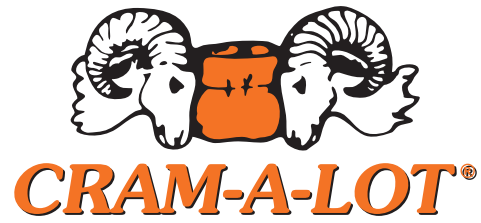


Self Contained Compactor

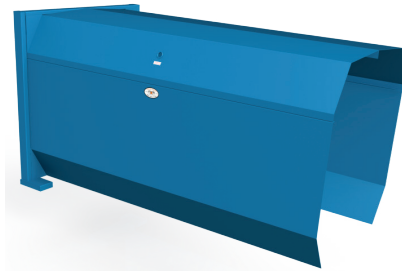


SC Series

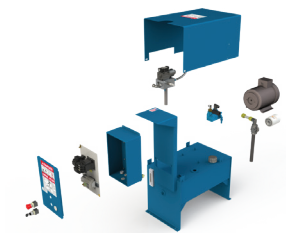


"EQUIPPING THE WORLD FOR A BETTER ENVIRONMENT"™

Self-Contained Compactor Features



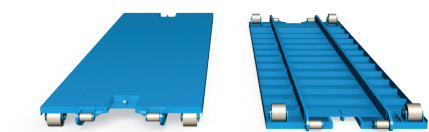
SC Series container sides are 7 ga steel with no vertical weld seams



Power Unit is Designed and Manufactured by Cram-A-Lot



SC-T2 packer assembly provides over 51,000 lbs of compaction force



SC floor is a single sheet of 3/16 in steel with no weld seams and single piece rails

Since 1978 the Cram-A-Lot brand has been synonymous with reliability and durability. This reputation has been built largely on the outstanding performance of our self-contained compactors. Our legendary SC Series compactors have been designed for maximum reliability and durability. We know that every time the keyswitch is turned, you need your compactor to start and run trouble free. By integrating simplicity and quality into our machines, we ensure the reliability that you expect and deserve. We optimize our compactor construction for durability by putting the right type of steel and the right amount of steel, in the places that need it most. This attention to robust design ensures that your compactor will be built to last for years to come.

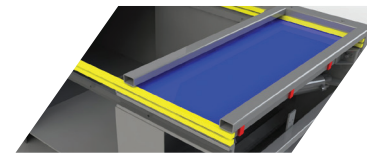
Standard Features Include:

- Made in the USA
- Complete UL Listing
- ANSI Z245.2 Compliant
- Cylinders Made in the USA to Our Specification
- Remote Power Unit w/ Weather Cover
- Key Operated Controls
- Quiet Operating Vane Pump
- TEFC Electric Motor
- Spin-On Oil Filter
- 10' Hydraulic Hoses w/ Quick Disconnect
- Floor Sheet - 3/16" Single Piece Steel
- Container Rails - 6" x 2" Single Piece Structural Tube
- Container Sides - 7 ga Single Piece Steel
- Tip Top Roof Design Sheds Water
- UHMW Ram Guides assure straight tracking and are readily replaceable
- Heavy Duty Controls - Nema 4 rated pushbutton controls with key-lockable start switch



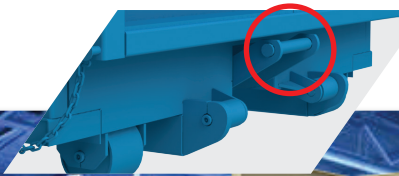
Ram Guide System

The Self-Contained cross cylinder ram features side mounted full length Ultra-High Molecular Weight (UHMW) guides to support the ram providing uncompromising longevity and reliability.



Door Protector

Prevents roll-off hoist cable from contacting the door frame, preventing bent doors and leaking seals.



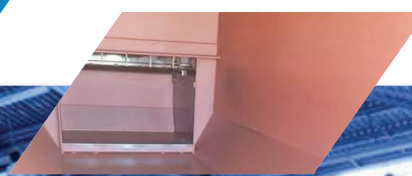
Lockable Door Latch

Hopper door can be locked preventing unauthorized usage.



Rust Inhibiting Primer

Self-Contained Compactors are primed with rust inhibiting red oxide primer to reduce corrosion.



Sub Floor Sump

Self-Contained



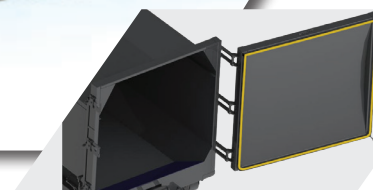
Single Piece Side Sheet and Floor

Cram-A-Lot's manufacturing plant uses a 30 foot 500 ton press break to form sides and floors allowing no vertical seams.



Programmable Relay Controls

Self-Contained Compactors by Cram-A-Lot are designed to use a readily available non-proprietary programmable relay.



Rear Gate Hinge & Seal

Self-Contained Compactors have a full door seal and a 3 point door latch that provides excellent compression and sealing properties.

Special Options Available



Ozone Odor Neutralizer

Our odor neutralizer systems provide effective odor control and air purification by producing ozone from atmospheric oxygen. Ozone eliminates odors without the use of deodorants or chemicals.



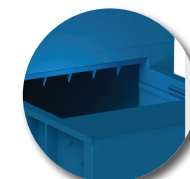
Key Operation

All compactors, are equipped with on/off switch as mandated by ANSI Z 245.2 safety standards. Cram-A-lot offers additional options for increased levels of safety.



Color Coded Pressure Gauge

User friendly pressure gauge indicates the fullness level with green, yellow, red, and orange zones which allow the operator to quickly identify container fullness.



Hinged Breaker Bar Teeth

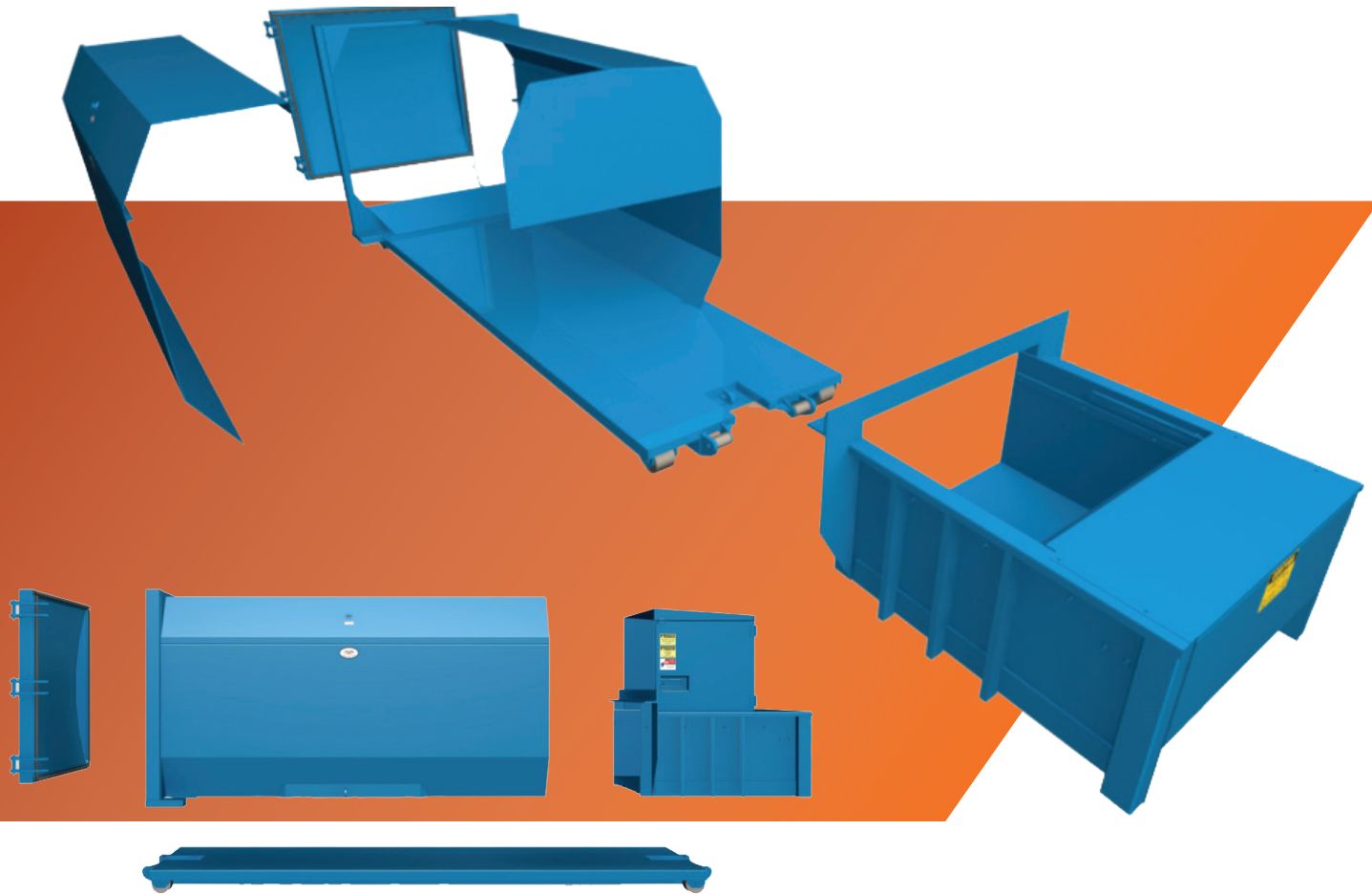
Fixed or Hinged breaker bar teeth can be specified to hold the material into the container, maintaining a clear compactor charge area.



Oil Heater

For use in cold climate areas, our oil heater is thermostatically controlled to maintain the oil reservoir above 70° F.

Built to Last Durability

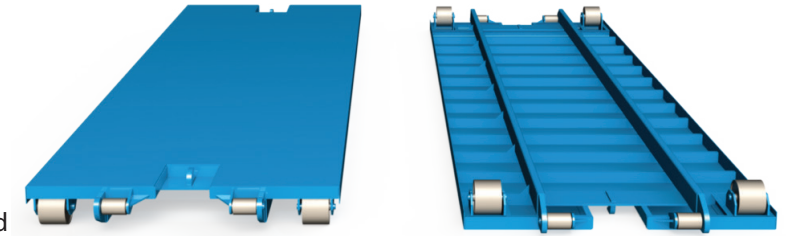


Durability. For over 45 years the Cram-A-Lot brand has been synonymous with durability. Engineering is in our DNA, and our approach to robust design is evident in our line of Self-Contained compactors. Our self-contained compactors are Built 2 Last through years of harsh use and miles of transport from the site to the landfill.



Floor Construction

The floor assembly of our Self Contained compactors provides the foundation to a durable and long lasting machine. A single sheet of 3/16" steel plate is used for the entire length of the floor on all models up to 34 yard capacity. This massive floor sheet is strengthened by the use of 3" structural steel channel on 18" centers, and 6" x 2" rails that span the entire length of the machine. 8" x 6" heavy duty ground rollers are designed to support the weight of a fully loaded machine.

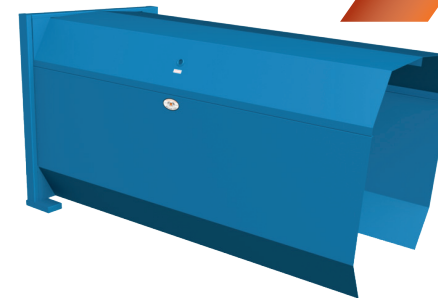


22 feet of solid, 3/16" seamless steel!
This is the foundation of every Cram-A-Lot self contained compactor. Using a single sheet of steel for the floor costs more to produce, but the result is added longevity and a leak-free machine.

Container Body Construction

The container body must also be constructed to prevent leaks and stand up to the various types of material that may be thrown in. It's not uncommon for racks, shelving, or other fixtures to find their way into a self-contained compactor. When that happens, the container needs to be able to withstand a possible puncture, not to mention the normal forces that are encountered when hauling 10+ tons of refuse.

- 7 gauge sides - single sheet, no vertical weld seams
- Tip Top Roof design - sheds water to prevent rust.

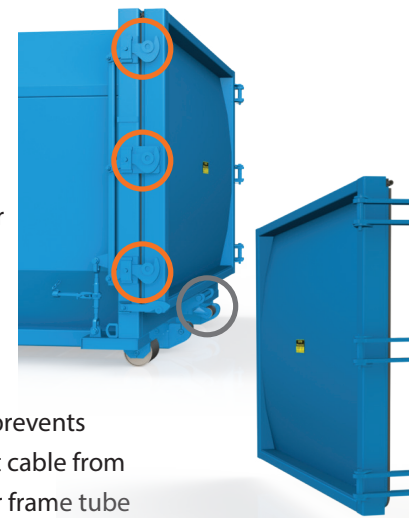


Door Construction

The compactor dump door is an often overlooked element of self-contained compactor design. The dump door must withstand over 50,000 lbs of compaction force without flexing, which would compromise sealing capability and cause an unwanted leak. Our door is framed with 4" x 6" x 1/4" structural tubing and fitted with a 3/16" plate that spans 80" x 85". This steel plate is concaved to roll the refuse up and over inside the container which improves compaction ratios and increases total payload.

- Three stout door hinges and a heavy duty latching system ensure years of reliable service and a liquid tight seal.

- A unique door protector prevents leaks by keeping the hoist cable from contacting the lower door frame tube and damaging the door.



Compactor Construction

The compactor assembly is where all the action takes place. This is where the trash goes in, and is packed into the container area. Available in 1, 2, and 2.5 yard capacities, we have the correct size to tackle any type of refuse.

We offer both single cylinder and twin cylinder models, both types utilize soft shift, internal bypass cylinders for long life. A 3/8" hardened AR plate floor can withstand the abuse of the toughest application, and provides the durability and long life you expect from a Cram-A-Lot.

A full width breaker bar constructed of a single piece of 6" x 6" x 3/4" angle iron will stand up to any trash you can throw at it.



Built to Perform Reliability

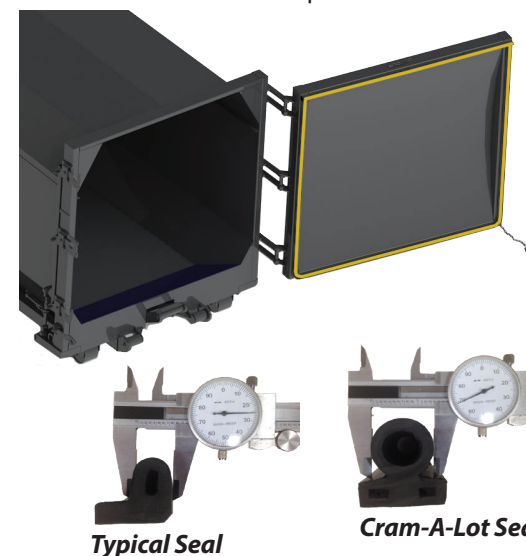
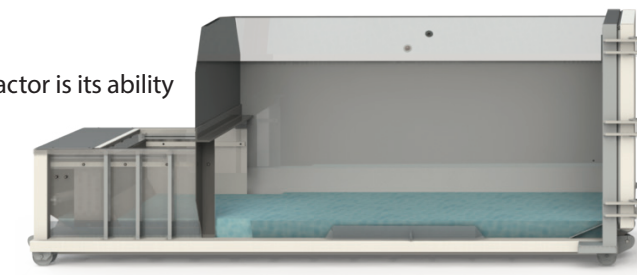


Reliability. It's a concept that seems to have been forgotten in an era of cheap, imported product offerings, but reliability is at the center of our machine design. By integrating simplicity and quality into our machines, we ensure the reliability that you expect and deserve. We know that every time the keyswitch is turned, you need your compactor to start and run trouble free.



Liquid Tight Design

The most important performance criteria for a self-contained compactor is its ability to hold liquid without leaks or spills. Our engineers have designed our machine to minimize the opportunity for leaks throughout the compactor structure. Each weld seam can become a potential leak point over time, so fewer weld seams equate to fewer leaks over the life of the compactor.



- Seam Minimization - The number of seams below water level are minimized through design by utilizing a single floor sheet with no seam welds and a single side sheet with no vertical weld seams. Not to mention that this approach also makes for one nice looking compactor!
- Fully Welded Seams - All seams below water level are fully welded inside and out.
- Rear sump keeps liquid towards the center of the compactor and away from the door seal.
- 100% Water Tested - Every machine is tested for leaks before leaving our factory.

The best door seal in the industry provides years of trouble free service. The "bulb" on our door seal is almost twice as large as the next largest seal on the market. A larger seal results in more overall sealing area and better compliance against the sealing surface.

Power Unit Design & Construction

The hydraulic power unit is the heart of any compactor. While other manufacturers may source their power units right out of a parts house catalog, we have always designed and built our hydraulic power units in house, specifically for our products. The hydraulic power unit is just too important to outsource! Designing and building

our own power unit is the only way we can guarantee the reliability and performance that our customers deserve.

Every compactor we manufacture is mated to its serial matching power unit for a complete rundown test and inspection before it ships to you.



Heavy Duty Cylinders

A compactor's hydraulic cylinders represent the single most expensive purchased component on the machine. Not



only are the cylinders themselves expensive, but hours of labor is required to remove and replace them if they fail. Given these facts, it would seem that all manufacturers would source a high quality cylinder to use in their compactors, but unfortunately they don't. Because they're the highest cost

component, this is one of the first areas considered when product managers and engineers are challenged by upper management to "cut costs". Some decide to change their specifications to a lighter duty design, others start importing lower cost cylinders from China.

At Cram-A-Lot, we have sourced our cylinders from the same supplier for over 20 years. Our cylinders are Made in the USA



and our specification has remained the same. We design our cylinders to last. Cylinder design is not a good place to cut corners! Cost savings may be achieved, but only at the expense of reliability. Our customers deserve better! Just say "NO!" to cheap Chinese cylinders!

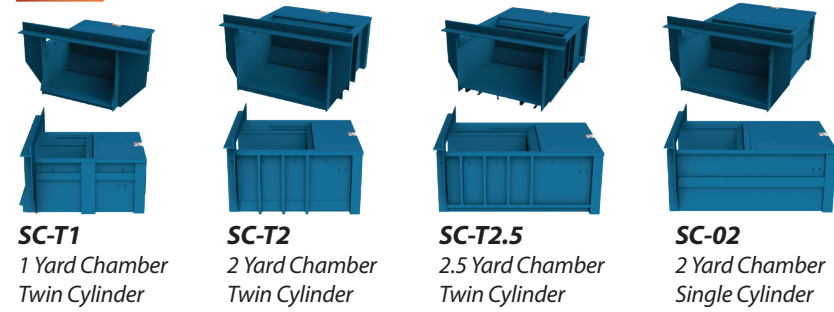
Built to Order Design



Design. Have we mentioned that we love engineering? Seriously, there are more pocket protectors worn around our office than in an episode of Big Bang Theory. Our engineer rock stars are just waiting for you to call in with your special application or tough install so they can put their slide rules to work.



Compactor Sizes



SC-T1
1 Yard Chamber
Twin Cylinder

SC-T2
2 Yard Chamber
Twin Cylinder

SC-T2.5
2.5 Yard Chamber
Twin Cylinder

SC-02
2 Yard Chamber
Single Cylinder

Understructures

During our 45 years in business, we have run into every hoist system on the market. The seven most popular hookups are included in our catalog of standard offerings, but if you're still running a roll-off truck that has a hoist system as old as the dinosaurs, we can accommodate it!



Scavenger **Hooklift** **Superior**

Hopper Possibilities

Selecting the correct hopper and feed solution can be the key to happy operators. With hundreds of hopper options in our engineering portfolio, we're sure to have a solution that will

help your staff use their new compactor with minimal fuss and minimal mess. Feel free to lean on our experience to help you find the right hopper for your application.



Enclosed Hopper Left hand Door **Deck Mount with Safety Gate** **Open Hopper Flared To Left** **Open Hopper Rear FLare Hydraulic Lid** **Enclosed Hopper Rear Doors**

Cart Tippers

Carts and tipper are becoming increasingly important as businesses understand the ergonomic hazards and safety risks associated with lifting heavy loads.

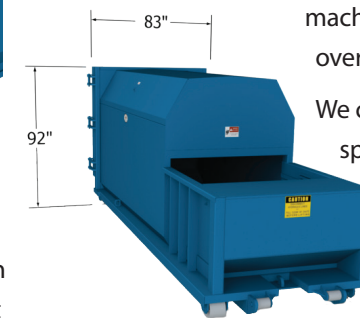


We offer machine mounted solutions and free standing solutions that will fit and lift 90 gallon curbside carts, 1 yard tilt carts, 2 or 3 yard front load carts, and everything in between.

Your tipper can be controlled automatically with the machine, or hold-to-run controls can be provided for manual operation.

Custom Height & Width

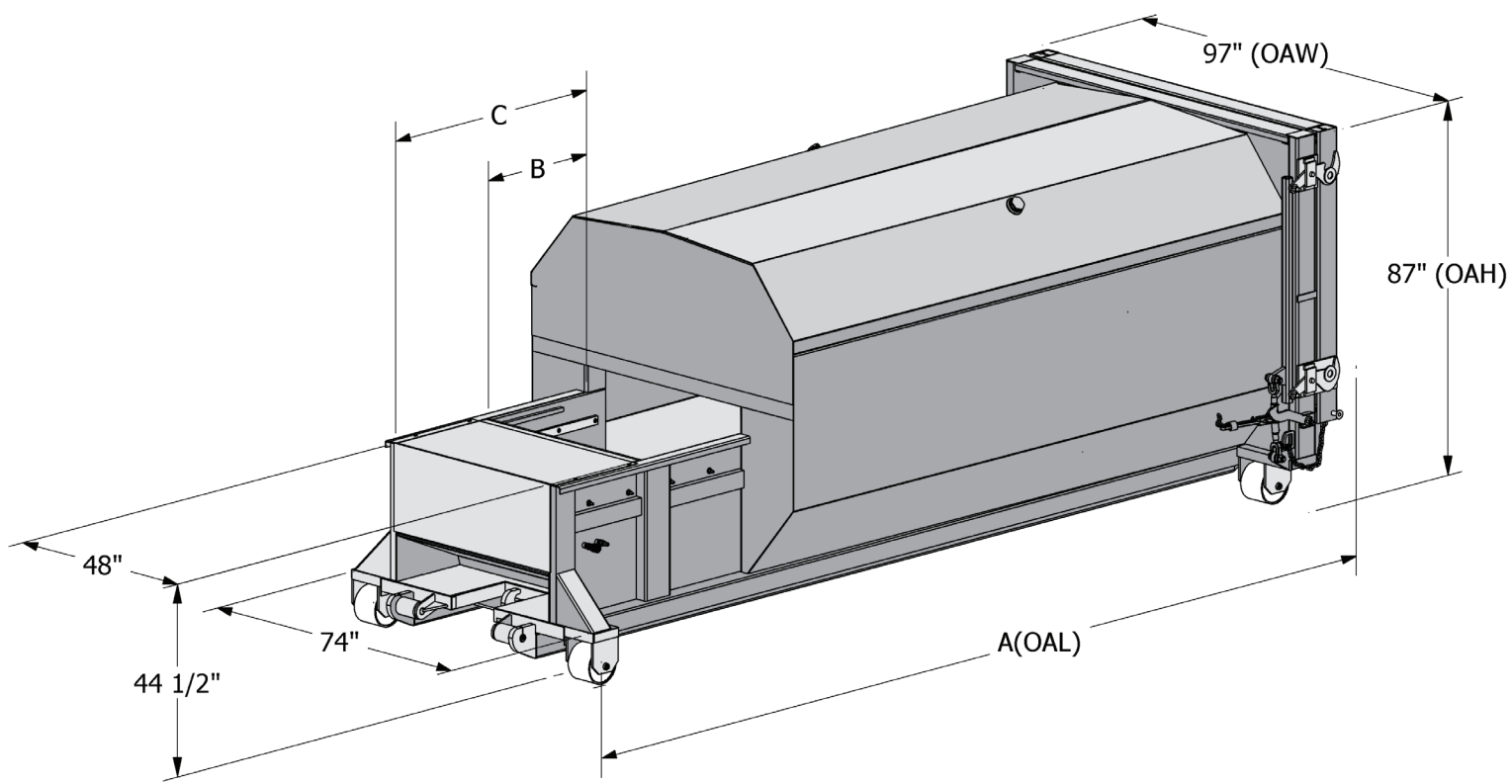
Building low profile compactors is almost a daily occurrence at Cram-A-Lot. Low profile, or "cut down" machines are often required when problems with overhead clearance are encountered on site.



We can "cut down" your new compactor to your specific requirements based on the overhead clearance available at your location. We can also "cut narrow" your compactor if there are space constraints for overall width. Whether your challenge is length, width, or height we can probably develop a solution for your toughest space challenge.

Dimensions

	Overall Length (A)	Clear Top (L X W) (B)	Packer Length (C)	Base Unit Weight	Base Unit Weight (LP Models)	Normal Container Capacity
SC-T1-10	13' 3"	28.1" x 46"	60"	6,500 lbs	N/A	10 cu yd
SC-T1-15	16' 6"	28.1" x 46"	60"	7,000 lbs	N/A	15 cu yd
SC-T1-20	19' 10"	28.1" x 46"	60"	7,500 lbs	N/A	20 cu yd



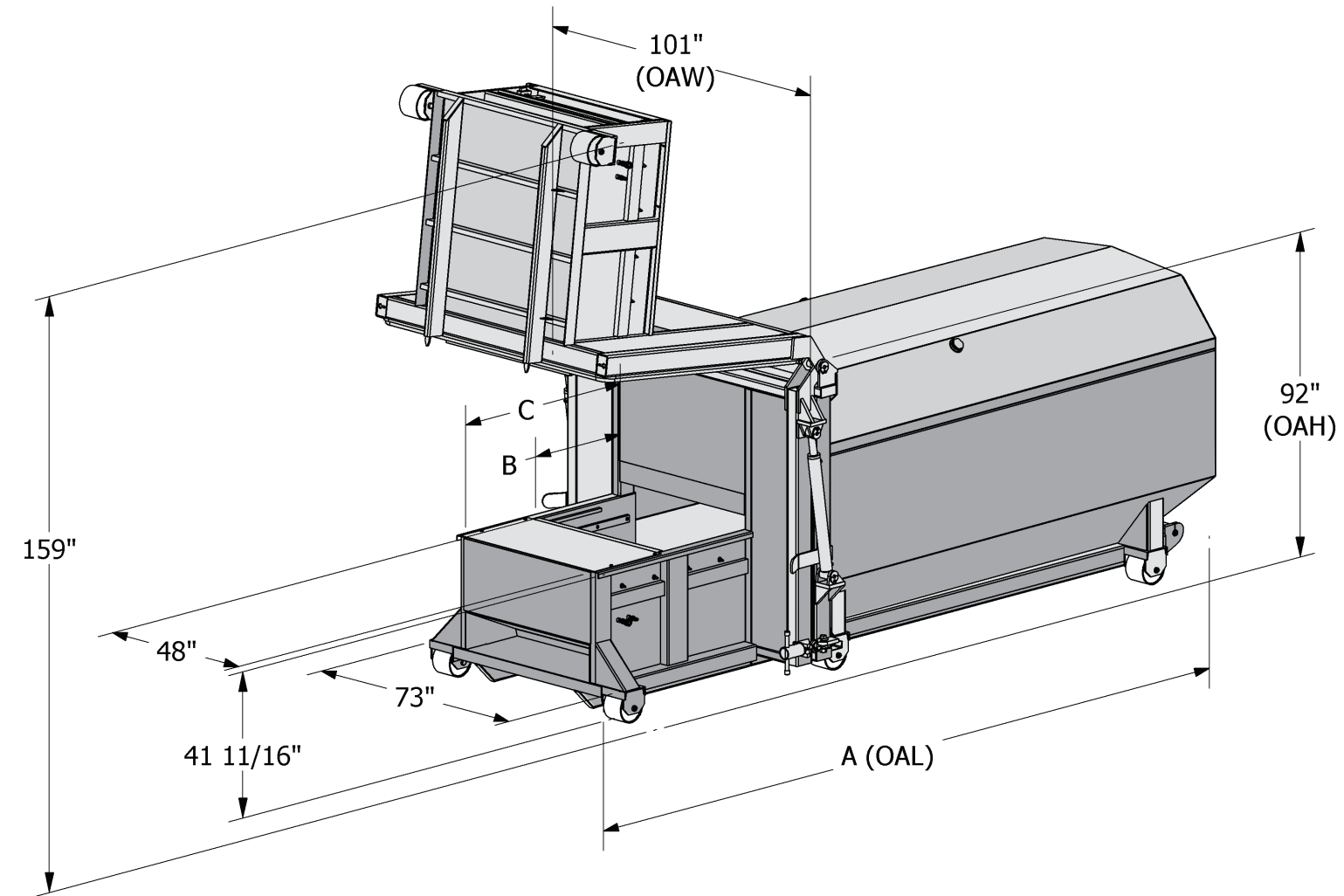
Specifications

Charge Box Capacity	1 cu yd	
NWRA Rated Size	0.75 cu yd	
Theoretical Cycle Time	30 sec	
Total Force	Normal	42,500 lbs
	Maximum	51,000 lbs
Ram Face Pressure	Normal	38.5 psi
	Maximum	46.2 psi
Ram Face Dimensions	(W x H)	48" x 23"
Ram Penetration		6"

Motor - 3 Phase	208/230/460 VAC	10 hp
Pump Capacity		10.5 gpm
Hydraulic Reservoir	Capacity	22 gal
Hydraulic Cylinder	Bore Diameter	(two) 4"
	Stroke	26"
Operating Pressure	Normal	2000 psi
	Maximum	2400 psi

Dimensions

	Overall Length (A)	Clear Top (L X W) (B)	Packer Length (C)	Base Unit Weight	Base Unit Weight (LP Models)	Normal Container Capacity
SC-T1-16-HTG	18'	28.1" x 46"	60"	8,000 lbs	N/A	16 cu yd
SC-T1-20-HTG	19' 8"	28.1" x 46"	60"	8,500 lbs	N/A	20 cu yd
SC-T1-25-HTG	23'	28.1" x 46"	60"	9,000 lbs	N/A	25 cu yd



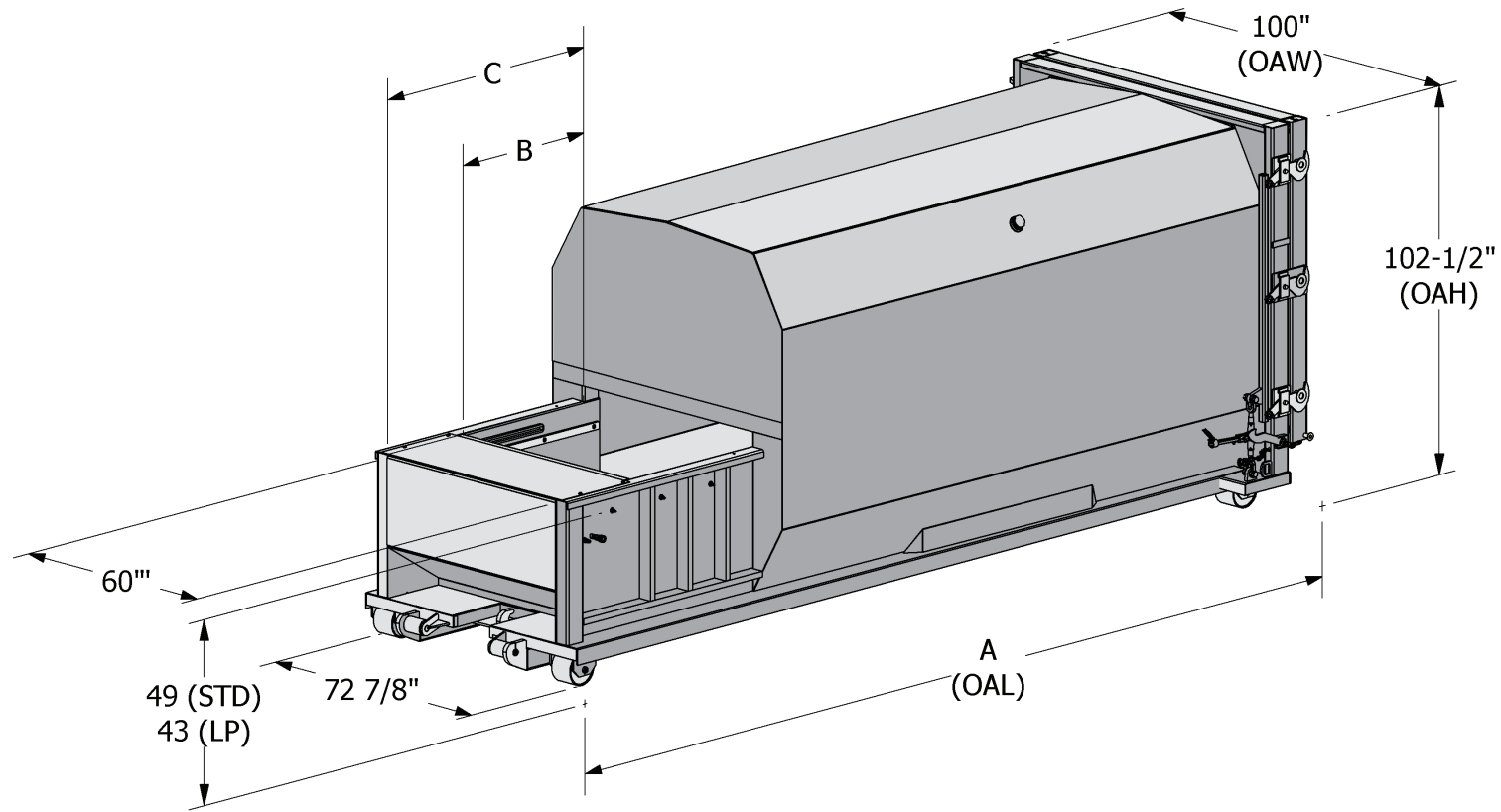
Specifications

Charge Box Capacity	1 cu yd	
NWRA Rated Size	0.75 cu yd	
Theoretical Cycle Time	30 sec	
Total Force	Normal	42,500 lbs
	Maximum	51,000 lbs
Ram Face Pressure	Normal	38.5 psi
	Maximum	46.2 psi
Ram Face Dimensions	(W x H)	48" x 23"
Ram Penetration		6"

Motor - 3 Phase	208/230/460 VAC	10 hp
Pump Capacity		10.5 gpm
Hydraulic Reservoir	Capacity	22 gal
Hydraulic Cylinder	Bore Diameter	(two) 4"
	Stroke	26"
Operating Pressure	Normal	2000 psi
	Maximum	2400 psi

Dimensions

	Overall Length (A)	Clear Top (L X W) (B)	Packer Length (C)	Base Unit Weight	Base Unit Weight (LP Models)	Normal Container Capacity
SC-T2-15	15'	41" x 58"	71"	7,800 lbs	7,600 lbs	15 cu yd
SC-T2-20	17' 4"	41" x 58"	71"	8,400 lbs	8,200 lbs	20 cu yd
SC-T2-25	19' 11"	41" x 58"	71"	9,000 lbs	8,800 lbs	25 cu yd
SC-T2-30	22' 1"	41" x 58"	71"	9,600 lbs	9,400 lbs	30 cu yd
SC-T2-34	23' 9"	41" x 58"	71"	10,200 lbs	10,000 lbs	34 cu yd

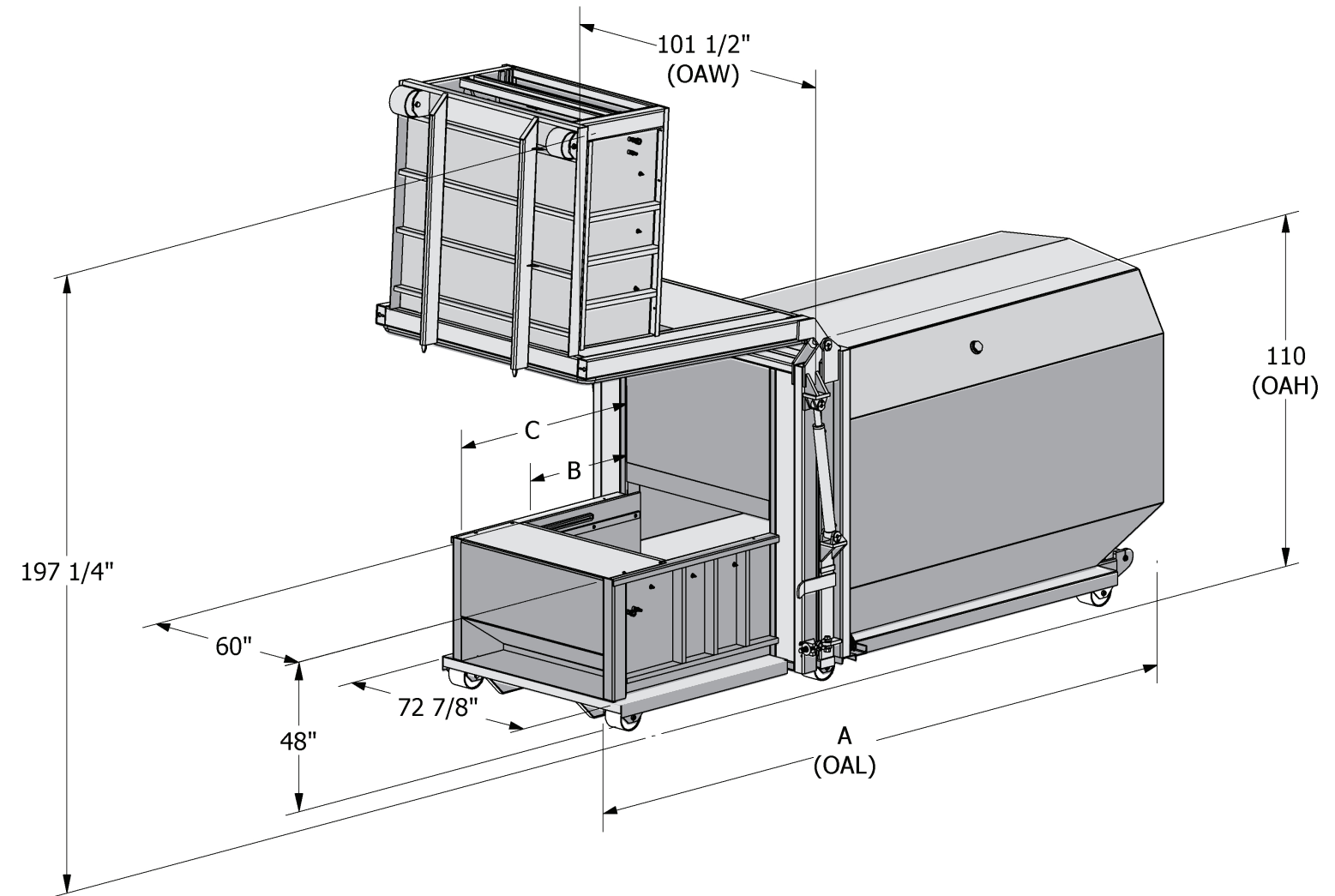


Specifications

		Low Profile Model	Low Profile Model
Charge Box Capacity	2 cu yd	2 cu yd	2 cu yd
NWRA Rated Size	1.52 cu yd	1.14 cu yd	1.14 cu yd
Theoretical Cycle Time	37 sec	37 sec	37 sec
Total Force	Normal	42,700 lbs	42,700 lbs
	Maximum	51,250 lbs	51,250 lbs
Ram Face Pressure	Normal	24.5 psi	31.5 psi
	Maximum	29.5 psi	38.04 psi
Ram Face Dimensions (W x H)	60" x 29"	60" x 23"	60" x 23"
Ram Penetration	8"	8"	8"
Motor - 3 Phase	208/230/460 VAC	10 hp	10 hp
Pump Capacity		10.5 gpm	10.5 gpm
Hydraulic Reservoir	Capacity	22 gal	22 gal
Hydraulic Cylinder	Bore Diameter	(two) 4"	(two) 4"
	Stroke	34"	34"
Rod Diameter	2"	2"	2"
	Operating Pressure	Normal	2000 psi
	Maximum	2400 psi	2400 psi

Dimensions

	Overall Length (A)	Clear Top (L X W) (B)	Packer Length (C)	Base Unit Weight	Base Unit Weight (LP Models)	Normal Container Capacity
SC-T2-20-HTG	17'	41" x 58"	71"	10,260 lbs	N/A	20 cu yd
SC-T2-25-HTG	19' 7"	41" x 58"	71"	10,900 lbs	N/A	25 cu yd
SC-T2-30-HTG	21' 9"	41" x 58"	71"	11,540 lbs	N/A	30 cu yd

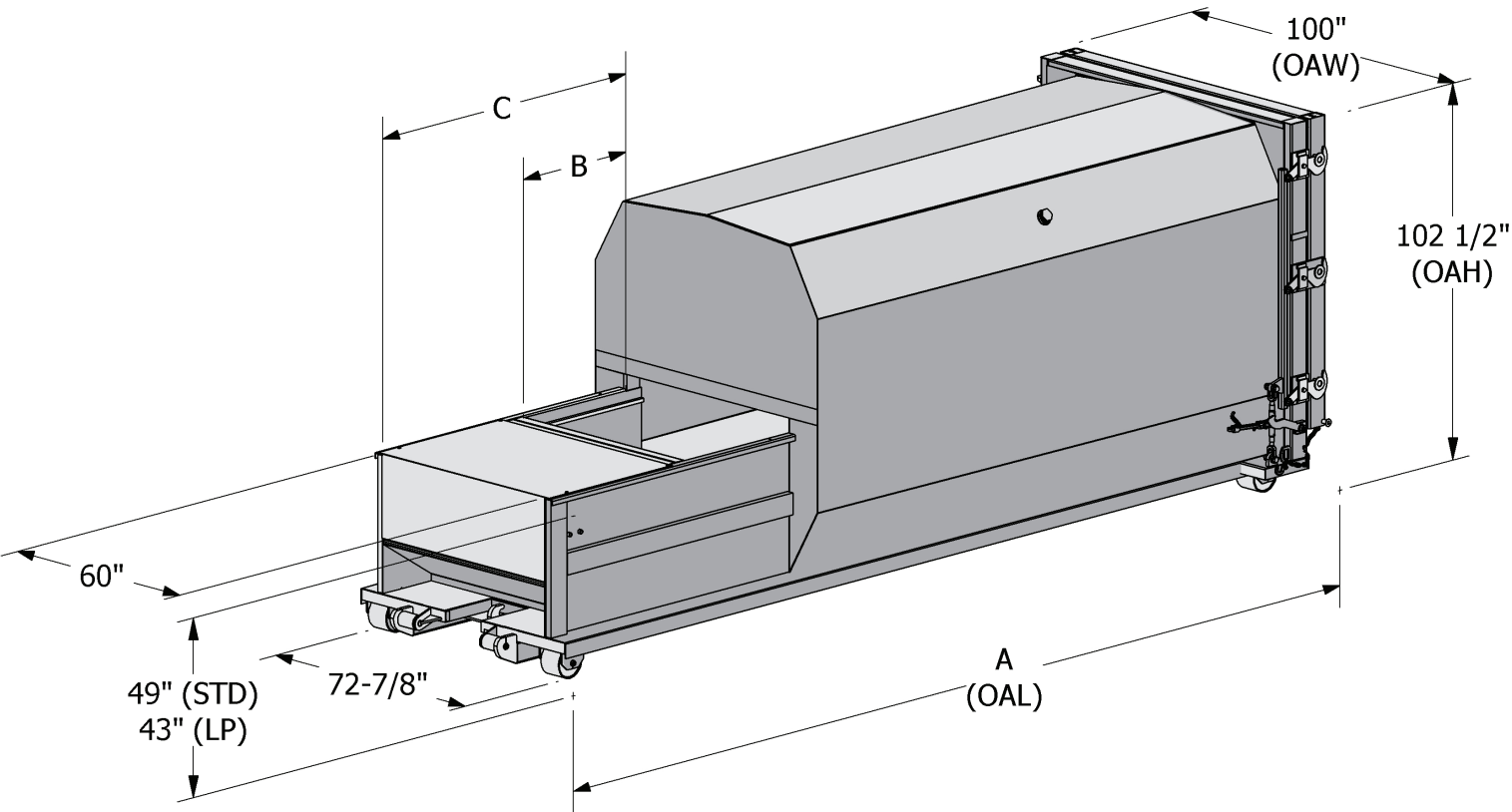


Specifications

		Low Profile Model	Low Profile Model
Charge Box Capacity	2 cu yd	2 cu yd	2 cu yd
NWRA Rated Size	1.52 cu yd	1.14 cu yd	1.14 cu yd
Theoretical Cycle Time	37 sec	37 sec	37 sec
Total Force	Normal	42,700 lbs	42,700 lbs
	Maximum	51,250 lbs	51,250 lbs
Ram Face Pressure	Normal	24.5 psi	31.5 psi
	Maximum	29.5 psi	38.04 psi
Ram Face Dimensions (W x H)	60" x 29"	60" x 23"	60" x 23"
Ram Penetration	8"	8"	8"
Motor - 3 Phase	208/230/460 VAC	10 hp	10 hp
Pump Capacity		10.5 gpm	10.5 gpm
Hydraulic Reservoir	Capacity	22 gal	22 gal
Hydraulic Cylinder	Bore Diameter	(two) 4"	(two) 4"
	Stroke	34"	34"
Rod Diameter	2"	2"	2"
	Operating Pressure	Normal	2000 psi
	Maximum	2400 psi	2400 psi

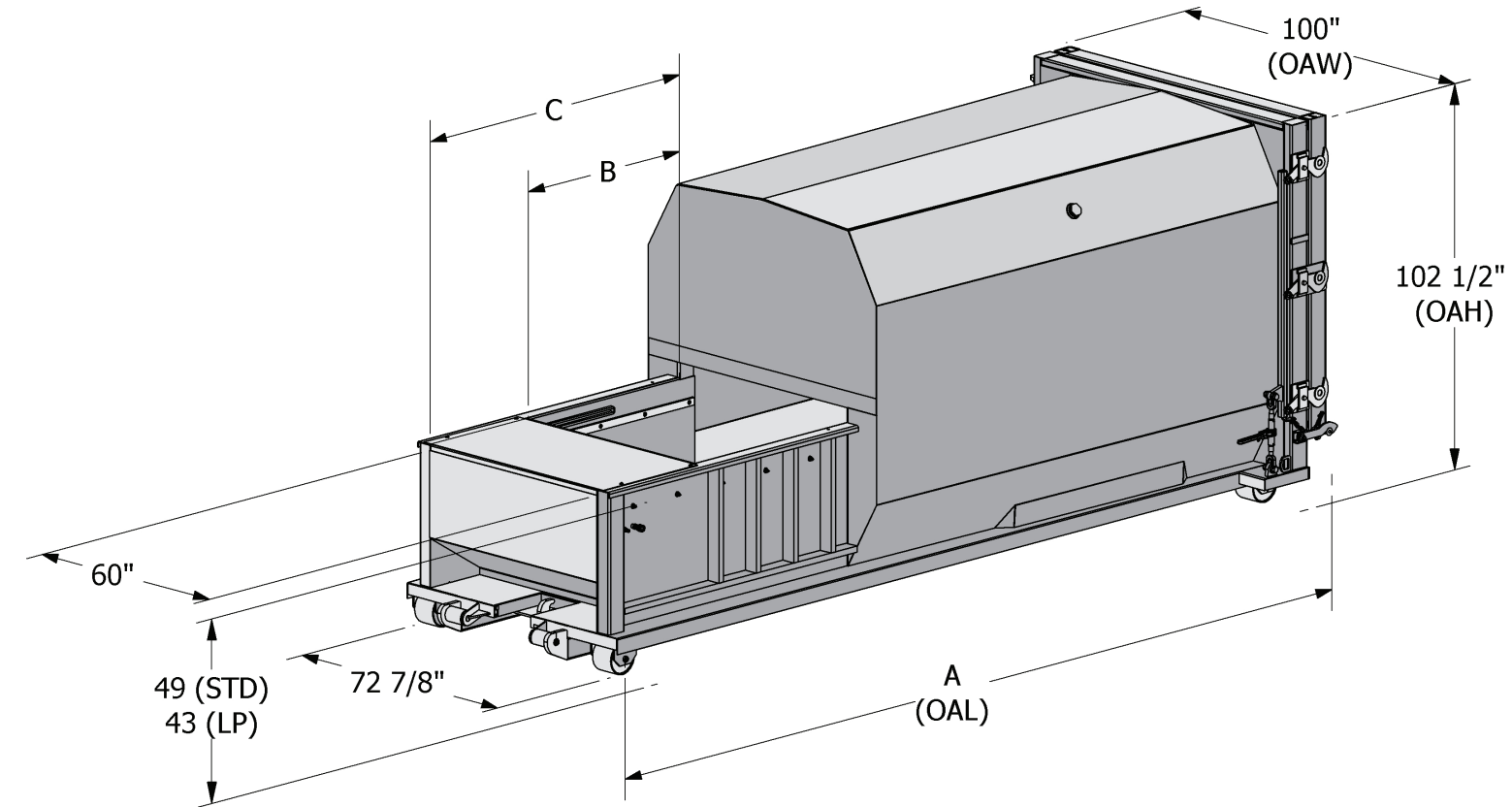
Dimensions

	Overall Length (A)	Clear Top (L X W) (B)	Packer Length (C)	Base Unit Weight	Base Unit Weight (LP Models)	Normal Container Capacity
SC-02-20	19'	34"x 58"	90.5"	8,800 lbs	8,700 lbs	20 cu yd
SC-02-25	21' 3"	34"x 58"	90.5"	9,400 lbs	9,300 lbs	25 cu yd
SC-02-30	23' 9"	34"x 58"	90.5"	9,900 lbs	9,800 lbs	30 cu yd



Dimensions

	Overall Length (A)	Clear Top (L X W) (B)	Packer Length (C)	Base Unit Weight	Base Unit Weight (LP Models)	Normal Container Capacity
SC-T2.5-25	21' 6"	48"x 58"	90"	9,900 lbs	9,800 lbs	25 cu yd
SC-T2.5-30	23' 8"	48"x 58"	90"	10,500 lbs	10,400 lbs	30 cu yd
SC-T2.5-34	25' 4"	48"x 58"	90"	11,000 lbs	10,900 lbs	34 cu yd



Specifications

		Low Profile Model		Low Profile Model
Charge Box Capacity	2 cu yd	2 cu yd	Motor - 3 Phase	208/230/460 VAC 10 hp 10 hp
NWRA Rated Size	1.31 cu yd	1.14 cu yd	Pump Capacity	10.5 gpm 10.5 gpm
Theoretical Cycle Time	37 sec	37 sec	Hydraulic Reservoir	Capacity 22 gal 22 gal
Total Force	Normal 39,300 lbs 39,300 lbs		Hydraulic Cylinder	Bore Diameter 5" 5"
	Maximum 47,100 lbs 47,100 lbs			Stroke 40" 40"
Ram Face Pressure	Normal 22.6 psi 29.0 psi			Rod Diameter 2.5" 2.5"
	Maximum 27.1 psi 34.8 psi		Operating Pressure	Normal 2000 psi 2000 psi
Ram Face Dimensions (W x H)	60" x 29" 60" x 23"			Maximum 2400 psi 2400 psi
Ram Penetration	5.5" 5.5"			

Specifications

		Low Profile Model		Low Profile Model
Charge Box Capacity	2.5 cu yd	2.5 cu yd	Motor - 3 Phase	208/230/460 VAC 10 hp 10 hp
NWRA Rated Size	1.03 cu yd	1.47 cu yd	Pump Capacity	10.5 gpm 10.5 gpm
Theoretical Cycle Time	41 sec	41 sec	Hydraulic Reservoir	Capacity 22 gal 22 gal
Total Force	Normal 42,700 lbs 42,700 lbs		Hydraulic Cylinder	Bore Diameter (two) 4" (two) 4"
	Maximum 51,250 lbs 51,250 lbs			Stroke 41" 41"
Ram Face Pressure	Normal 24.5 psi 24.5 psi			Rod Diameter 2.5" 2.5"
	Maximum 29.5 psi 29.5 psi		Operating Pressure	Normal 2000 psi 2000 psi
Ram Face Dimensions (W x H)	60" x 29" 60" x 23"			Maximum 2400 psi 2400 psi
Ram Penetration	8" 5.8"			

Quality & Reliability

When you purchase Cram-A-Lot you receive much more for your investment than quality equipment, you get the Cram-A-Lot team.

And because of the confidence we have in our team to design and build quality equipment, we were the first in the industry to offer a 1-2-3 warranty.

The **CRAM-A-LOT**® 1-2-3 Warranty is simple...

- 1.** All parts and labor expenses through the first year to remedy defective materials or workmanship. 
- 2.** All parts through the second year to remedy defective materials or workmanship. 
- 3.** All labor expenses through the third year to remedy any structural faults that result from defective materials or workmanship. 





CRAM-A-LOT®



Corporate Office

701 Butterfield Coach Rd. - P.O. Box 229 - Springdale, AR 72765-0229
1-800-678-7320 - 479-751-7320 - Fax: 479-872-0037

www.cram-a-lot.com