

Stationary Compactors



CRAM-A-LOT[®]
J.V. Manufacturing, Inc. 
Solid Waste & Recycling Equipment



“Equipping The World For A Better Environment”

Features

J.V. Manufacturing, Inc. has offered a complete line of Cram-A-Lot® trash compactors for your waste disposal needs since 1984. We offer compactors of various sizes, from small apartment compactors to 15 cubic yard capacity transfer compactors.

All designed to safely, quietly and efficiently compact your trash.

*For non-standard units please refer to our specialty compactors brochure.

Standard Features

- ANSI Z245.2 Compliant All compactors meet or exceed ANSI Z245.2 safety standards.
- Integral Power Unit Integral to the compactor chassis for security, yet accessible for ease of maintenance and repairs.
- UHMW Ram Guides Adjustable to assure straight tracking and readily replaceable, should the need arise.
- Oil Sight Gauge Oil level at a glance.
- Oil Filter Replaceable spin-on cartridge to keep your oil clean.
- Heavy duty controls NEMA 4 rated pushbutton controls with key-lockable start switch.
- Single cycle operation.

Commercial Size 2-4 Yard Compactors

Commercial size (4 cubic yard nominal size and smaller) Cram-A-Lot® compactors are designed for moderate duty service. They are perfect for retail stores, light industrial plants, grocery stores, hospitals and many more similar applications.

The 4-yard compactor is designed for heavy commercial, industrial and mini-transfer stations. Engineered to handle above average quantities of refuse when transfer station is not applicable.

Most units totally UL listed.

Heavy Industrial 5-15 Yard Compactors

Large Industrial (5 cubic yard nominal size and larger) Cram-A-Lot® compactors are designed for heavy industrial duty service. They are perfect for manufacturing facilities, heavy industrial plants, transfer stations and many more similar applications.

Additional features include:

- Power Unit, Innovative hydraulic circuit design is used universally in Large Compactors, Horizontal Balers, and Pre-Crusher Compactors.
- Reduced Components, hoses and fittings.
- UL listed control panel.
- More efficient, cooler operating, hydraulic system.
- Shorter lead time.
- Increased performance.

All information is subject to engineering and/or other changes without notice.

Leasing and Rental Programs Available



Special Options Available



Remote Controls



Color Coded Pressure Gauge



Hinged Breaker Bar Teeth

Remote Controls

All compactors, come with on/off switch as mandated by ANSI Z 245.2 safety standards. Cram-A-lot offers additional options for increased levels of safety.

Color Coded Pressure Gauge

The color coded gauge indicates 50%, 75% and 100% fullness. The gauge is more accurate than fullness lights.

Oil Heater

Ideal for cold climate areas. The oil heater automatically maintains the oil at 70 degrees.

Hinged Breaker Bar Teeth

Hinged breaker bar teeth hold trash in place, preventing trash from springing back into the chamber.

Ozone Odor Neutralizer

Odor neutralizers like the Sonozaire circulate the ozone, permitting it to search out and destroy odor molecules. The result is a clean-smelling area, which does not harbor and protect bacteria ending odor complaints and assuring customer satisfaction.



Oil Heater



Odor Neutralizer

Cram-A-Lot[®] 1-2-3 Warranty

J.V. Manufacturing will furnish without charge:

- 1) All parts and labor expenses through the first year of ownership to remedy any faults proven to be the result of defective materials or workmanship.
- 2) All parts through the second year of ownership to remedy any faults proven to be the result of defective materials or workmanship.
- 3) All labor expenses through the third year of ownership to remedy any structural faults proven to be the result of defective materials or workmanship.

This warranty does not apply to any damage caused by negligence, misuse, modifications, alterations, or accidents by purchaser or third parties.
Refer to operation manual for specific warranty coverage.

Standard and Special Applications



Rear Feed with Dual Through-The-Wall Feed Option



Walk-On Dock Mount



Enclosed Hopper with Side Feed Door



Walk-On Full Enclosure (8' Wide)



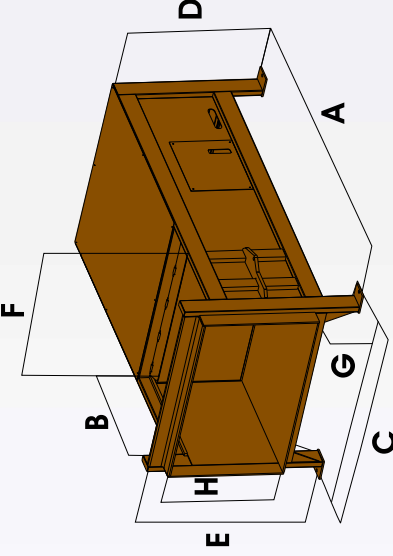
Rear Load Through-The-Wall



CRAM-A-LOT®
J.V. Manufacturing, Inc.
 Solid Waste & Recycling Equipment

ELECTRICAL FEATURES ON ALL MODELS

- UL Listed Control Panel
- Only Major Brand Electrical Components Used
- Weather Tight Electrical Enclosure



2 - 4 Yard STATIONARY COMPACTOR

Specifications

	CO-02	CC-02	CX-02	CO-03	CH-03	CX-03	CO-04	CH-04	CX-04
Charge Box Capacity	2 cu. Yd.	2 cu. Yd.	2 cu. Yd.	3 cu. Yd.	3 cu. Yd.	3 cu. Yd.	4 cu. Yd.	4 cu. Yd.	4 cu. Yd.
WASTEC Rating	1.5	1.5	1.5	2.4	2.4	2.4	2.8	2.8	2.8
Clear Top Opening	40" x 58 1/2"	40" x 58 1/2"	40" x 58 1/2"	60" x 57"	60" x 57"	60" x 57"	60" x 57"	60" x 57"	60" x 57"
Theoretical Cycle Time	63 sec.	63 sec.	52 sec.	54 sec.	47 sec.	64 sec.	64 sec.	64 sec.	52 sec.
Total Force,	45,200 lbs.	56,500 lbs.	77,000 lbs.	56,500 lbs.	56,500 lbs.	76,900 lbs.	56,500 lbs.	76,900 lbs.	104,600 lbs.
Normal	56,500 lbs.	67,900 lbs.	92,400 lbs.	67,900 lbs.	67,900 lbs.	92,300 lbs.	67,900 lbs.	92,300 lbs.	127,200 lbs.
Maximum	26.4 psi	33 psi	45 psi	32 psi	32 psi	43.4 psi	27.3 psi	37.1 psi	50.5 psi
Ram Face Pressure, Normal	33 psi	39.7 psi	54 psi	38.4 psi	38.4 psi	52.1 psi	32.8 psi	44.6 psi	61.4 psi
Ram Face dimensions, W x H	60" x 28 1/2"	60" x 28 1/2"	60" x 28 1/2"	59 3/4" x 29 1/2"	59 3/4" x 29 1/2"	59 3/4" x 29 1/2"	59 3/4" x 34 1/2"	59 3/4" x 34 1/2"	59 3/4" x 34 1/2"
Ram Penetration	13"	13"	13"	13"	13"	13"	13"	13"	13"
Motor-3 Phase -	10 hp	10 hp	10 hp	10 hp	15 hp	15 hp	10 hp	15 hp	20 hp
Pump Capacity	10.5 gpm	10.5 gpm	10.5 gpm	12 gpm	12 gpm	12 gpm	10.5 gpm	12 gpm	36 gpm
Hydraulic Reservoir	22 gal.	22 gal.	33 gal.	33 gal.	33 gal.	33 gal.	33 gal.	33 gal.	105 gal.
Hydraulic Cylinder, Bore Dia.	6"	6"	7"	6"	6"	7"	6"	7"	(two) 6"
Stroke	54"	54"	54"	76"	76"	76"	76"	76"	76"
Rod Dia.	3.5"	3.5"	4"	3.5"	3.5"	4"	3.5"	4"	3.5"
Operating Pressure, Normal	1600 psi.	2000 psi.	2000 psi.	2000 psi.	2000 psi.	2000 psi.	2000 psi.	2000 psi.	1850 psi
Maximum	2000 psi.	2400 psi.	2400 psi.	2400 psi.	2400 psi.	2400 psi.	2400 psi.	2400 psi.	2250 psi.
Base Unit Weight	3,900 lbs.	4,200 lbs.	4,500 lbs.	5,620 lbs.	5,700 lbs.	6,100 lbs.	7,240 lbs.	7,420 lbs.	7,800 lbs.
Complete unit UL listed	yes	yes	yes	yes	yes	yes	yes	yes	no

DIMENSIONS

	(A) Over All Length	(B) Clear Top Length	(C) Overall Width	(D) Loading Sill Height	(E) Overall Height	(F) Clear Top Width	(G) Ground Height	(H) Discharge Opening Height
CO-02	116 5/8"	39 3/16"	74 5/8"	49"	59"	58 3/8"	14 13/16"	39"
CC-02	116 5/8"	40"	74 1/8"	49"	59"	58 3/8"	15"	39"
CX-02	116 5/8"	40"	74 1/8"	49"	59"	58 3/8"	15"	39"
CO-03	162 1/2"	60 3/16"	74 1/2"	49 1/2"	62"	57"	14 1/2"	42 1/2"
CH-03	162 1/2"	60 3/16"	74 1/2"	49 1/2"	62"	57"	14 1/2"	42 1/2"
CX-03	162 1/2"	60 3/16"	74 1/2"	49 1/2"	62"	57"	14 1/2"	42 1/2"
CO-04	162 1/2"	60 3/16"	74 1/2"	55"	64"	57"	14 1/2"	42 1/2"
CH-04	162 1/2"	60 3/16"	74 1/2"	55"	64"	57"	14 1/2"	42 1/2"
CX-04	162 1/2"	60 3/16"	74 1/2"	55"	64"	57"	14 1/2"	42 1/2"

CORPORATE

P.O. Box 229
 701 Butterfield Coach Road
 Springdale, AR 72765
 1-800-678-7320
 479-751-7320
 479-751-7774 (fax)

CRAM-A-LOT® CENTRAL

108 Hwy 365 S.
 Conway, AR 72032
 1-800-653-6780
 501-327-6560
 501-329-7931 (fax)

CRAM-A-LOT WEST

8290 Belvedere Ave. Suite 110
 Sacramento, CA 95826
 1-888-431-3094
 916-456-7676
 916-456-7500 (fax)

DISTRIBUTED BY: