

VB Series Vertical Balers



CRAM-A-LOT[®]
J.V. Manufacturing, Inc.
Solid Waste & Recycling Equipment



“Equipping The World For A Better Environment”

VB Series Vertical Balers

Revolutionary!



Loading Gate

No more Chains and sprockets. They have been replaced with a patented design using gas shocks. This is absolutely the most reliable and smoothest operating design on the market.

No Chains,
Sprockets or Pulleys!



Electro-Magnetic Door Interlock System

The patented design securely interlocks loading gate and chamber door. Door is simple to operate with greater security. This is just one of the latest steps in Cram-A-Lot's innovative safety system engineering.



Control Panel

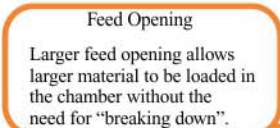
Innovatively designed electrical circuit reduces maintenance intensive switches and operators by 50%. No limit switches to become misaligned or unsafely over-ridden.

No photo-eyes to clean.
No proximity switches to adjust.



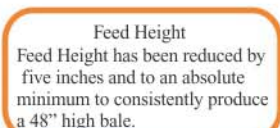
Platen

Platen is guided full length with Ultra-High Molecular Weight (UHMW) guide shoes for superior strength and alignment. Unique design features minimize material migration to top of platen. Stronger structural tubing replaces conventional channel construction. Platen is painted contrasting high visibility color for safety.



Feed Opening

Larger feed opening allows larger material to be loaded in the chamber without the need for "breaking down".



Feed Height

Feed Height has been reduced by five inches and to an absolute minimum to consistently produce a 48" high bale.



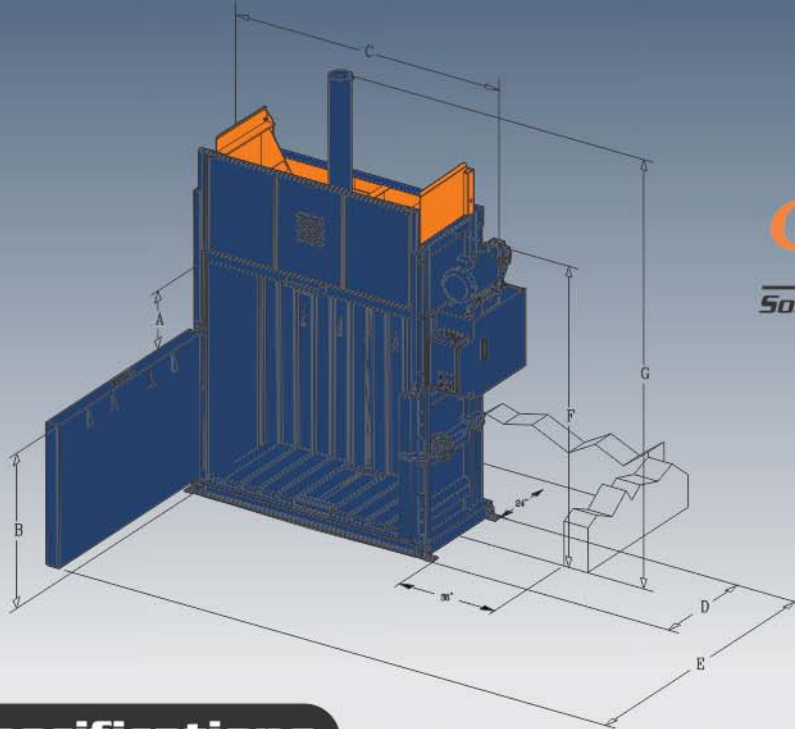
Full Bale Indicator



Side Mounted Power Unit
Power unit is mounted on side for service access. Smooth-shift directional control valve provide a quiet operating power unit.



CRAM-A-LOT®
J.V. Manufacturing, Inc.
Solid Waste & Recycling Equipment



ELECTRICAL REQUIREMENTS
 208/230/460 VAC, 3 Phase
 Optional: 220 VAC Single Phase

All Cram-A-Lot Balers
 conform to all current
 ANSI Z 245.5 Safety Standards

Specifications

	VB-42-B	VB-60-B	VB-60-T	VB-60-H	VB-60-X	VB-72-B	VB-72-H	VB-72-X
A Feed Opening Height	24"	24"	24"	24"	24"	24"	24"	24"
B Load Height	52"	52"	52"	52"	52"	52"	52"	52"
C Overall Width	65"	83"	83"	83"	83"	95"	95"	95"
D Overall Depth	43"	43"	43"	43"	43"	43"	43"	43"
E Overall Depth w/Door Open	83"	101"	101"	101"	101"	113"	113"	113"
F Frame Height	99"	99"	99"	99"	99"	99"	99"	99"
G Overall Height - Installed	139.5"	139.5"	147"	147"	147"	139.5"	147"	147"
Nominal Bale Size								
W	42"	60"	60"	60"	60"	72"	72"	72"
D	30"	30"	30"	30"	30"	30"	30"	30"
H	48"	48"	48"	48"	48"	48"	48"	48"
Cylinder								
B	6"	6"	6"	7"	7"	6"	7"	7"
S	44"	44"	52"	52"	52"	44"	52"	52"
R	3.5"	3.5"	4"	4"	4"	3.5"	4"	4"
Bale Weight Up to lb (OCC)	750 lbs	1,000 lbs	1,200 lbs	1,400 lbs	1,400 lbs	1,200 lbs	1,600 lbs	1,600 lbs
Motor	10hp	10hp	15hp	15hp	20hp	10hp	15hp	20hp
Pump @ 1800 rpm	9 Gpm	9 Gpm	10.5 Gpm	10.5 Gpm	13.5 Gpm	9 Gpm	10.5 Gpm	13.5 Gpm
System Pressure	2,100 Psi	2,100 Psi	2,400 Psi	2,400 Psi	2,400 Psi	2,100 Psi	2,400 Psi	2,400 Psi
Platen Force	59,370 lbs	59,370 lbs	67,850 lbs	92,350 lbs	92,350 lbs	59,370 lbs	92,350 lbs	92,350 lbs
Platen Face Pressure	68 Psi	48 Psi	55 Psi	75 Psi	75 Psi	39 Psi	61 Psi	61 Psi
Average Cycle Time	57 Sec	57 Sec	56 Sec	77 Sec	60 Sec	57 Sec	77 Sec	60 Sec
(W/Optional Regen)	34 Sec	34 Sec	33 Sec	44 Sec	35 Sec	34 Sec	44 Sec	35 Sec
Unit Weight	3,850 lbs	4,450 lbs	4,800 lbs	5,000 lbs	5,050 lbs	4,850 lbs	5,450 lbs	5,500 lbs

All information is subject to engineering and/or other changes without notice.

Warranty

Cram-A-Lot® 1-2-3 Warranty

J.V. Manufacturing will furnish without charge:

- 1) All parts and labor expenses through the first year of ownership to remedy any faults proven to be the result of defective materials or workmanship.
- 2) All parts through the second year of ownership to remedy any faults proven to be the result of defective materials or workmanship.
- 3) All labor expenses through the third year of ownership to remedy any structural faults proven to be the result of defective materials or workmanship.

This warranty does not apply to any damage caused by negligence, misuse, modifications, alterations, or accidents by purchaser or third parties.

Refer to operation manual for specific warranty coverage.



CRAM-A-LOT®

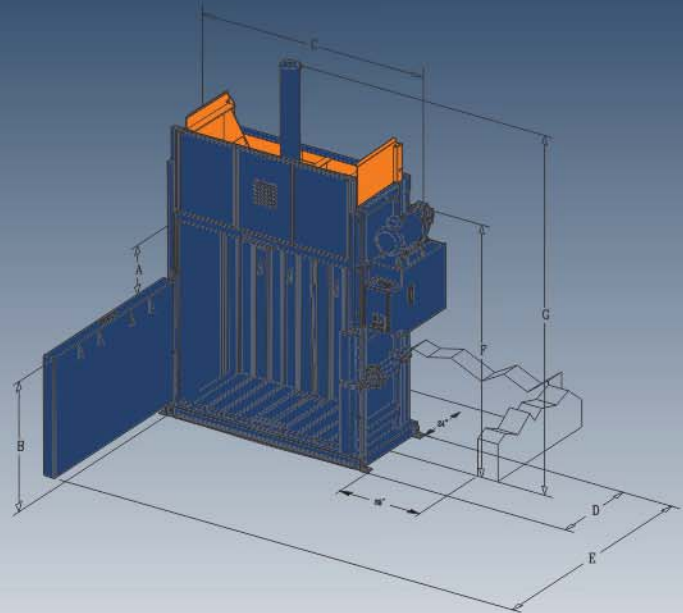
J.V. Manufacturing, Inc.

Solid Waste & Recycling Equipment

ELECTRICAL FEATURES ON ALL MODELS

- UL Listed Control Panel
- Only Major Brand Electrical Components Used
- Weather Tight Electrical Enclosure

ELECTRICAL REQUIREMENTS
208/230/460 VAC, 3 Phase
Optional: 220 VAC Single Phase



Specifications

		VB-42-SR	VB-46-LD	VB-60-B-LP	VB-72-H-DC	VB-72-H-LP
A	Feed Opening Height	23"	24"	24"	24"	24"
B	Load Height	34.5"	42"	42"	52"	42"
C	Overall Width	63.5"	68"	83"	95"	95"
D	Overall Depth	34.5"	37"	43"	55"	43"
E	Overall Depth w/Door Open	75"	81.5"	101"	125"	113"
F	Frame Height	78.5"	82.5"	89"	99"	89"
G	Overall Height - Installed	78.5"	117"	119.5"	147"	119.5"
Nominal Bale Size	W	42"	46"	60"	72"	72"
	D	24"	24"	30"	42"	30"
	H	28"	36"	38"	48"	38"
Cylinder	B	3"	4.5"	6"	7"	7"
	S	36"	36"	34"	52"	38"
	R	3"	2.5"	3.5"	4"	4"
Bale Weight Up to lb (OCC)		200 lbs	400 lbs	900 lbs	1700 lbs	1250 lbs
Motor		5 hp	5 hp	10 hp	15 hp	15 hp
Pump @ 1800 rpm		6 Gpm	6 Gpm	9 Gpm	10.5 Gpm	10.5 Gpm
System Pressure		2000 Psi	2000 Psi	2100 Psi	2400 Psi	2400 Psi
Platen Force		23,545 lbs	31,800 lbs	59,370 lbs	92,350 lbs	92,350 lbs
Platen Face Pressure		32 Psi	41 Psi	48 Psi	43 Psi	61 Psi
Average Cycle Time		23 sec	39 sec	45 sec	77 sec	59 sec
(W/Optional Regen)		N/A	N/A	27 sec	44 sec	35 sec
Unit Weight		2,550 lbs	2,750 lbs	4,100 lbs	6,200 lbs	5,000 lbs

All information is subject to engineering and/or other changes without notice.

CORPORATE OFFICE

P.O. Box 229
701 Butterfield Coach Road
Springdale, AR 72765

1-800-678-7320
479-751-7320
479-751-7774 (fax)

DISTRIBUTED BY: