

Specialty Compactors



CRAM-A-LOT®
J.V. Manufacturing, Inc. 
Solid Waste & Recycling Equipment



“Equipping The World For A Better Environment”

Features

Our Cram-A-Lot specialty compactors are designed specifically for facilities to save space where overall space utilization is critical.

THESE POWERFUL UNITS ARE IDEAL FOR:

- Facilities with limited floor space
- Warehouses
- High-Rise Apartments
- Hotels, Offices & Hospitals
- Or anywhere else trash space is very limited

SAFE
SIMPLE
AND
USER
FRIENDLY

DESIGNED FOR:

- Ease of Installation
- Ease of Operation
- Ease of Maintenance

X-PRESS PACK

Portable Liquid Tight Self-Contained Unit

Ease of usage makes it a perfect portable trash compactor ready to use and requires no additional sight prep such as concrete pad, anchors or channel guides.



VERTICAL COMPACTOR

Small Footprint, Frontload service

This compact liquid tight compactor/container is designed to eliminate the need for multiple front load containers. Loading capabilities from the ground, off a dock, or through the wall with optional chute fed systems available.



APARTMENT COMPACTOR

Extra Tight Space Problems

Designed to solve those extra tight space problems, the apartment compactor packs into a 2yd or 3yd front load or rear load container. These units can be equipped with high-rise chute hoppers, ground feed hoppers, and any other special installation solution requirement.



CS-01 & CS-02

Limited volume applications

For restrictive applications, we offer a 1 or 2 yard short version of our standard commercial compactor.



Installed Applications



CRAM-A-LOT®
J.V. Manufacturing, Inc. 
Solid Waste & Recycling Equipment

Vertical Compactor



X-Press Pack



CS-02



CS-01



Apartment Compactor



Apartment Compactor



Vertical Compactor - CV Series

Replaces Costly Open Containers - Requires Limited Space

FEATURES

- UL/CUL listed Control Panel
- Integral Power Unit
- Control Panel built into side of Compactor
- Key operated controls
- Automatic single-cycle operation
- Door safety interlock
- 3yd, 4yd, 6yd and 8yd container sizes available
- Wastec Rated



CRAM-A-LOT's CV line of Vertical Compactors are designed to save space and eliminate the need for multiple Front Load containers. This model is ideal for compacting all types of bagged waste, and features liquid tight containment

DESIGN FEATURES

- No hydraulic lines attached to the container eliminates the need for driver to exit the truck, saving time and money
- Eliminates the unsightly mess of spillage by the hauler
- Rugged construction provides long life
- Compaction Ratios on Average of 3.5 to 1 depending on material mix
- Ideal for Restaurants, Fast Food locations, Shopping Centers, Supermarkets, Hospitals, Schools, Nursing Homes, and hotels

LOADING CAPABILITIES

- Can be loaded from the front or rear
- Load from the ground, off a dock, or through the wall
- Feed heights starting at 46 ¾"

USER FRIENDLY

- Convenient location of control panel

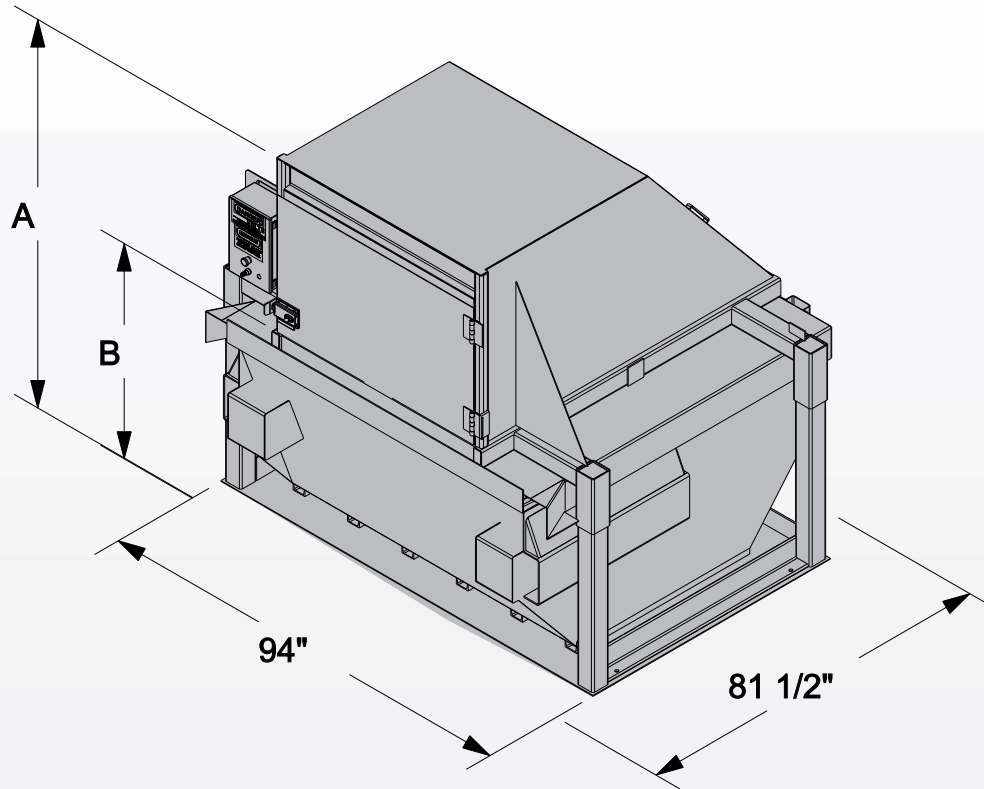
SAFETY

- Door Safety Interlock
- Safe To Haul Light
- Removable key for authorized operator usage
- ANSI Z245.21 Compliant





CRAM-A-LOT®
J.V. Manufacturing, Inc.
Solid Waste & Recycling Equipment



Special modifications quoted upon request

Specifications

GENERAL:

Dimensions	Length	81-1/2"
	Width	94"
Clear Top Opening		48" L x 31" W
Load Height		See Chart
Cycle Time		37 seconds
Ram Force	Normal	25,100 lbs
	Maximum	30,200 lbs
Ram Penetration		29.5"
Ram Face Dimensions		48" W x 35" L
Weight		See Chart
Ram Face Pressure	Normal	15.6
	Maximum	18.8

ELECTRICAL:

Motor	3 hp
Voltage	208-230/460 VAC 60 Hz Three Phase
Optional Voltage	230 VAC 60 Hz Single Phase

HYDRAULIC:

Pump Type	Vane
Pump Capacity	3 gpm
Tank Capacity	8 gal
Hydraulic Cylinder	Bore 4"
	Stroke 18"
	Rod 2"
Operating Pressure	Normal 2,000 psi
	Maximum 2,400 psi

CONSTRUCTION:

Container	Floor	11 gage
	Sides	11 gage
Presshead	Face	1/4" Steel Plate Sweeping Blade Design

MODEL	A	B	WEIGHT
CV-03	85"	47"	3,460 lbs
CV-04	85"	47"	3,625 lbs
CV-06	98"	60"	3,810 lbs
CV-08	112"	74"	4,145 lbs

All information is subject to engineering and/or other changes without notice.

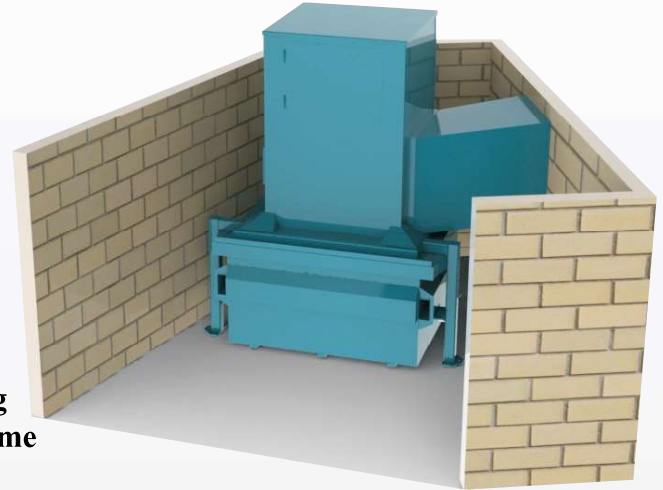
Vertical Compactor - VCH Series

Four side loading options.....Five container options....All in ONE unit!!

FEATURES

- UL/CUL listed Control Panel
- Integral Power Unit
- Key operated controls
- 3yd, 4yd, 6yd and 8yd container sizes available
- Wastec rated

Cram-A-Lot VCH line of Vertical Compactors are designed to allow customized loading options along with versatility in container sizes allowing for volume growth without changing compactors



DESIGN FEATURES

- Sliding feed door is designed to eliminate trash from gathering on top of press head
- No hydraulic lines attached to the container eliminates the need for driver to exit the truck, saving time and money
- Eliminates the mess of spillage when emptying the container
- Rugged construction provides long life
- Compaction ratios average 4 to 1, depending on material mix
- Ideal for Restaurants, Fast Food locations, Shopping Centers, Supermarkets, Hospitals, Schools, Nursing Homes, and Hotels

LOADING CAPABILITIES

- The VCH serie offers loading capabilities from all 4 sides allowing user front, rear or side feed loading and can be combined with an open chute or thru-the-wall access for customized loading access
- Load from the ground, off a dock, or through the wall
- Feed heights starting at 40 1/4"

USER FRIENDLY

- Convenient location of controls

SAFETY

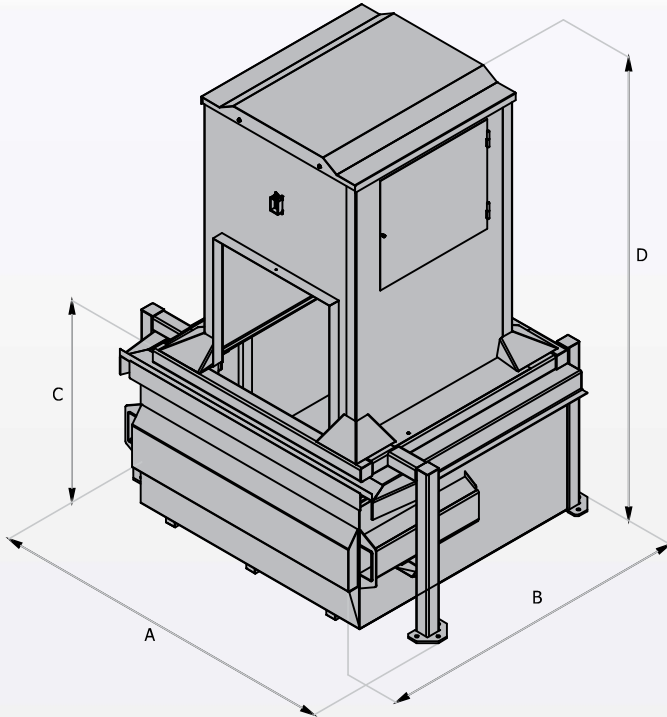
- Door Safety Interlock
- Highly visible "Safe To Haul Light"
- Removable key for authorized operator usage
- ANSI Z245.21 Compliant





CRAM-A-LOT®
J.V. Manufacturing, Inc.
Solid Waste & Recycling Equipment

Specifications



CONTAINER SIZE / TYPE	A	B	C	D	COMPACTOR WEIGHT
3-YD-FL	100"	79"	40-1/4"	115-1/4"	3892 lbs.
4-YD-FL	100"	79"	46-1/4"	121-1/4"	3973 lbs.
4-YD-RL	82"	100"	46-1/4"	121-1/4"	4050 lbs.
5-YD-FL	100"	79"	56-1/4"	131-1/4"	4183 lbs.
6-YD-FL	100"	95-1/2"	56-1/4"	131-1/4"	4294 lbs.
8-YD-FL	100"	95-1/2"	74"	150"	4510 lbs.

GENERAL:

Charge Box Capacity	See Chart
Dimensions	See Chart
Clear Top Opening	37 1/4"L x 38"W
Cycle Time	35 sec
Compaction Force	24,650 lbs.
Ram Face Pressure	11 psi
Ram Penetration	10"
Ram Face Dimensions	48"L x 48 "W
WASTEC Rated	2.08 Cu YDS

CONSTRUCTION

Container		
	Floor	11 ga
	Sides	11 ga 3" channel
	Trim	1-1/2" x 1-1/2" x 11 ga square tube
	Lift Pockets	Conform to WASTEC guidelines
Presshead	Sides	7 ga
	Face	1/4" Steel Plate Vertical Push
	Guides	UHMW strips
Chassis		Steel tube Frame 11 ga. Sheet Steel Shroud

ELECTRICAL:

Motor	5 hp
Voltage	208/230/460 Vac 60Hz Three Phase (230 Vac 60Hz single phase) (optional, 1 1/2hp)

HYDRAULIC:

Pump Type	VANE
Pump Capacity	6 gpm @ 1800 rpm
Tank Capacity	12 Gal
Hydraulic Cylinder x2	Bore 3" Stroke 37 1/4" Rod Dia. 2"
Operating Pressure	2000 Psi

All information is subject to engineering and/or other changes without notice.

Special modifications quoted upon request



CRAM-A-LOT®

J.V. Manufacturing, Inc.

Solid Waste & Recycling Equipment



Leasing and Rental Programs Available

**Compactor Units can be custom designed
and factory installed to suit your special applications**

Cram-A-Lot® 1-2-3 Warranty

J.V. Manufacturing will furnish without charge:

- 1) All parts and labor expenses through the first year of ownership to remedy any faults proven to be the result of defective materials or workmanship.
- 2) All parts through the second year of ownership to remedy any faults proven to be the result of defective materials or workmanship.
- 3) All labor expenses through the third year of ownership to remedy any structural faults proven to be the result of defective materials or workmanship.

This warranty does not apply to any damage caused by negligence, misuse, modifications, alterations, or accidents by purchaser or third parties.
Refer to operation manual for specific warranty coverage.

CORPORATE OFFICE

P.O. Box 229
701 Butterfield Coach Road
Springdale, AR 72765

1-800-678-7320
479-751-7320
479-751-7774 (fax)

DISTRIBUTED BY:-

www.cram-a-lot.com