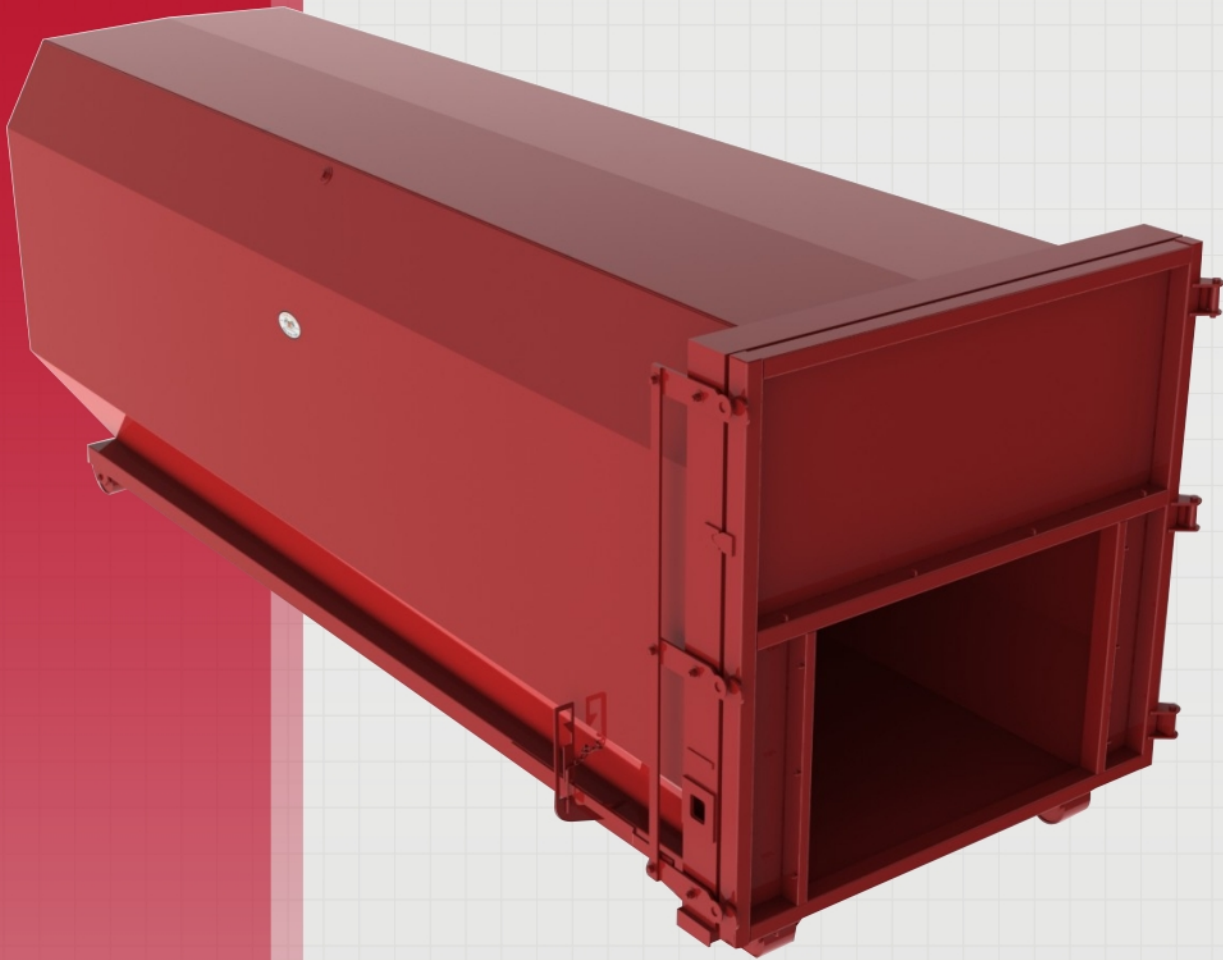


# Receiver

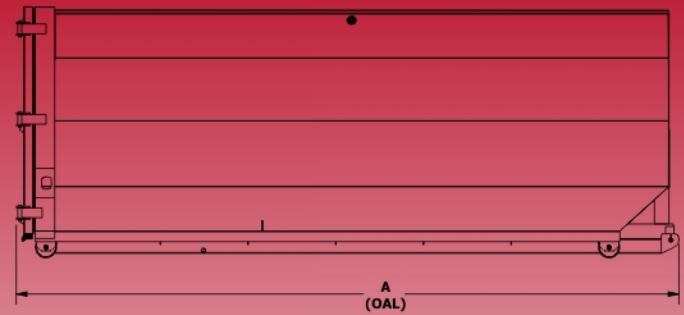
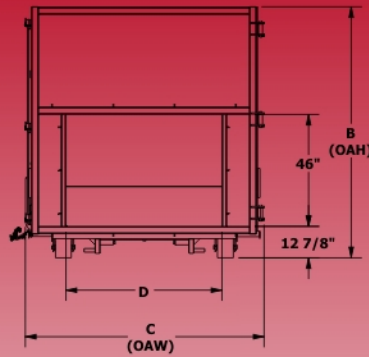


**CRAM-A-LOT®**

*J.V. Manufacturing, Inc.*  
*Solid Waste & Recycling Equipment*



**“Equipping The World For A Better Environment”**



## Specifications

		RO-30	RO-40	RO-40-10	RO-40-HD	RO-40-HD-W
Floor	Plate	3/16"	3/16"	3/16"	1/4"	1/4"
Sides	Gauge	7	7	10	7	7
Main Rails	Tubing	6" x 2" x 3/16"	6" x 2" x 3/16"	6" x 2" x 3/16"	6" x 2" x 3/16"	6" x 2" x 3/16"
Cross Members	Channel	3 x 4.1	3" x 4.1"	3" x 4.1"	3" x 4.1"	3" x 4.1"
	Centers	18"	18"	18"	18"	18"
Wheels	Diameter	8 1/2"	8 1/2"	8 1/2"	8 1/2"	8 1/2"
	Wide	6 1/2"	6 1/2"	6 1/2"	6 1/2"	6 1/2"
Guide Rollers	Diameter	4"	4"	4"	4"	4"
	Wide	5 1/2"	5 1/2"	5 1/2"	5 1/2"	5 1/2"
(A) Overall Length		RO-30 223 - 1/2"	RO-40 271 - 1/2"	RO-40-10 271 - 1/2"	RO-40-HD 271 - 1/2"	RO-40-HD-W 271 - 1/2"
(B) Overall Height		103"	103"	103"	103"	103"
(C) Overall Width		97 1/2"	97 1/2"	97 1/2"	97 1/2"	97 1/2"
(D) Feed Opening		64"	64"	64"	64"	77"

All information is subject to engineering and/or other changes without notice.

## Warranty

### **Cram-A-Lot® 1-2-3 Warranty**

J.V. Manufacturing will furnish without charge:

- 1) All parts and labor expenses through the first year of ownership to remedy any faults proven to be the result of defective materials or workmanship.
- 2) All parts through the second year of ownership to remedy any faults proven to be the result of defective materials or workmanship.
- 3) All labor expenses through the third year of ownership to remedy any structural faults proven to be the result of defective materials or workmanship.

This warranty does not apply to any damage caused by negligence, misuse, modifications, alterations, or accidents by purchaser or third parties.

Refer to operation manual for specific warranty coverage.

#### CORPORATE

P.O. Box 229  
701 Butterfield Coach Road  
Springdale, AR 72765  
1-800-678-7320  
479-751-7320  
479-751-7774 (fax)

#### CRAM-A-LOT® CENTRAL

108 Hwy 365 S.  
Conway, AR 72032  
1-800-635-6780  
501-327-6560  
501-329-7931 (fax)

#### CRAM-A-LOT® WEST

8290 Belvedere Ave. Suite 110  
Sacramento, CA 95826  
1-888-431-3094  
916-456-7676  
916-456-7500 (fax)

#### DISTRIBUTED BY:

[www.cram-a-lot.com](http://www.cram-a-lot.com)